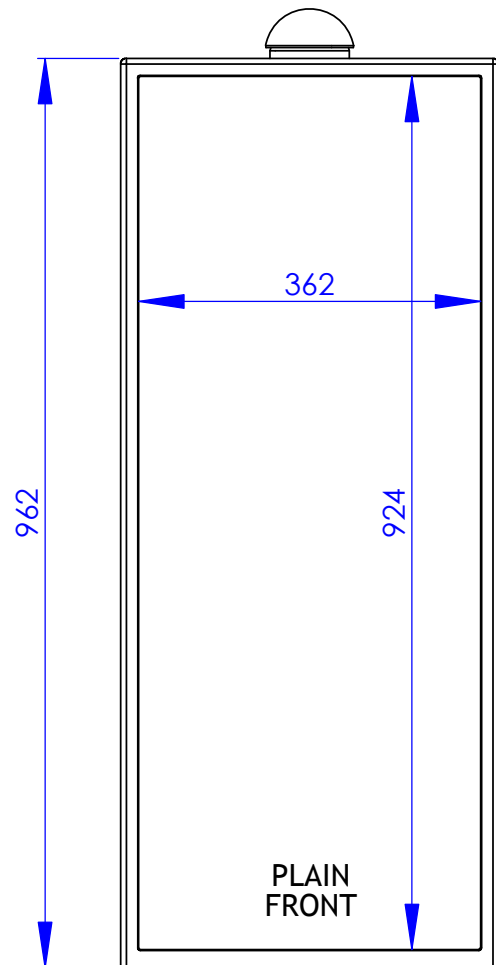
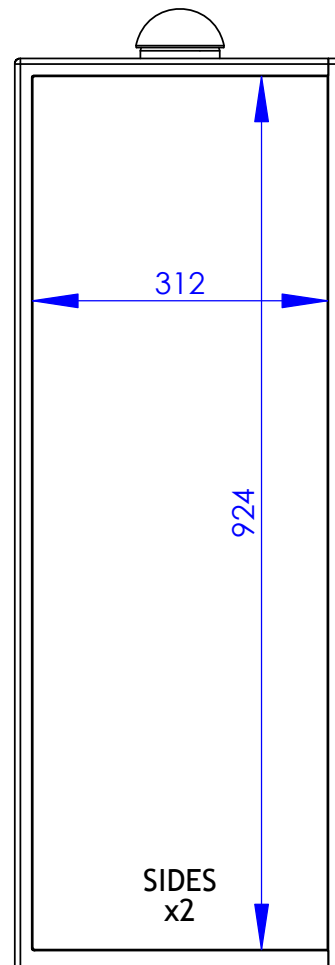


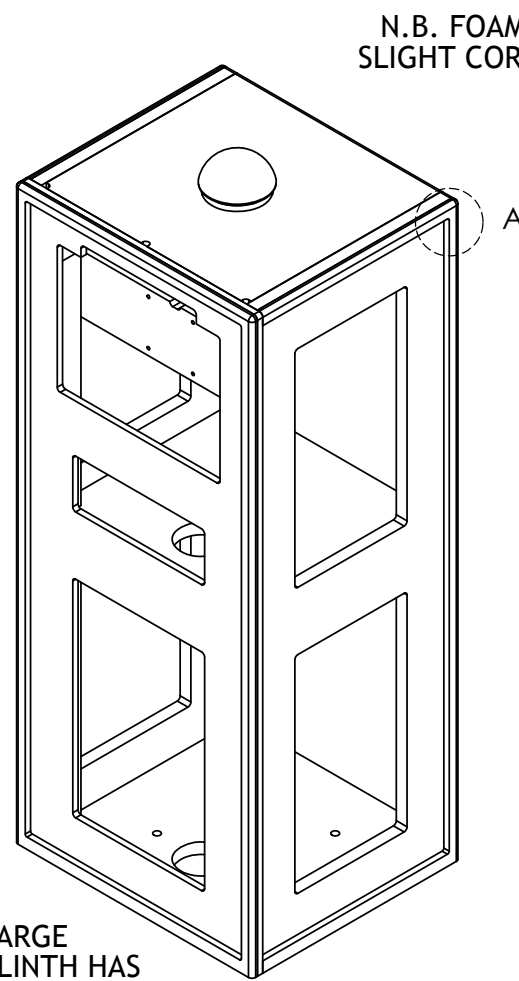
DROP-IN TOP



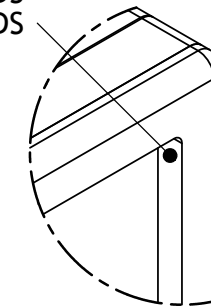
PLAIN FRONT



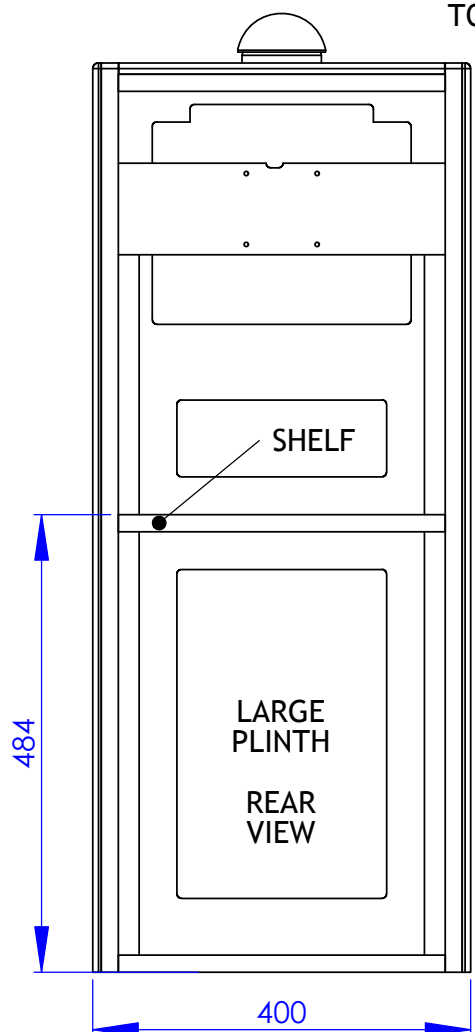
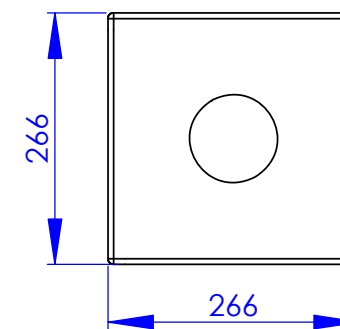
SIDES x2



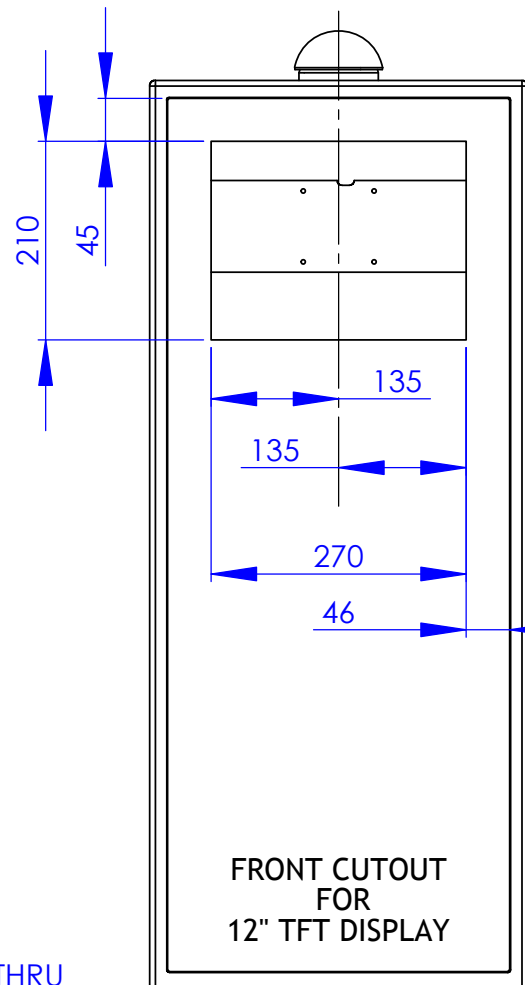
N.B. FOAMEX NEEDS SLIGHT CORNER RADS



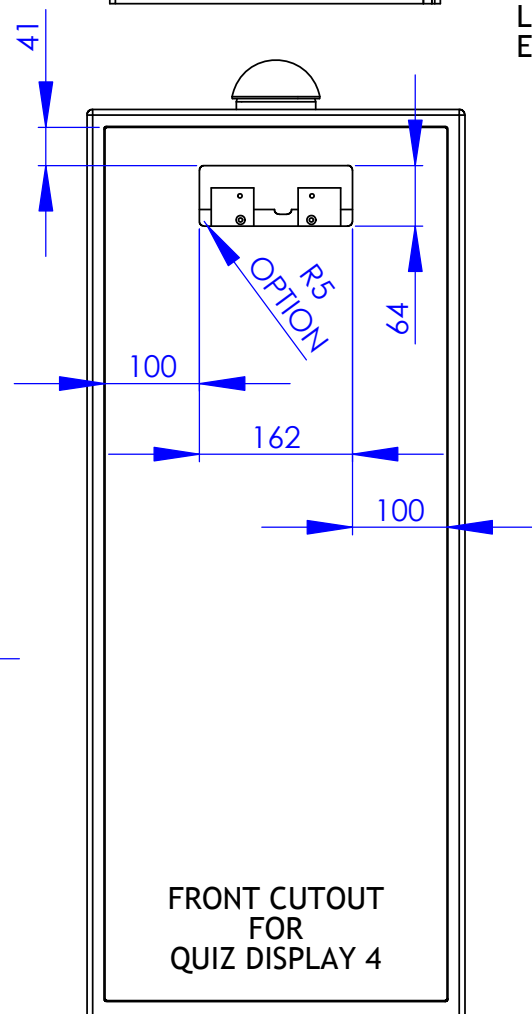
DETAIL A



LARGE PLINTH REAR VIEW

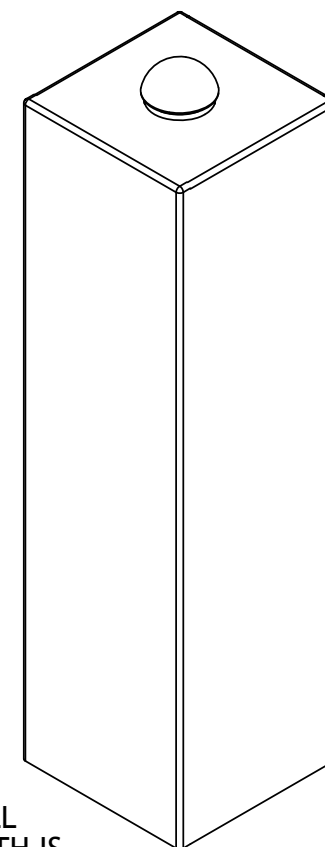


FRONT CUTOUT FOR 12" TFT DISPLAY

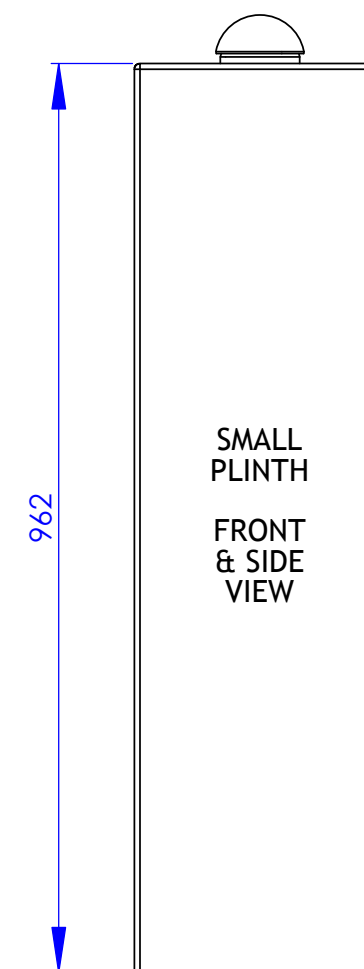


FRONT CUTOUT FOR QUIZ DISPLAY 4

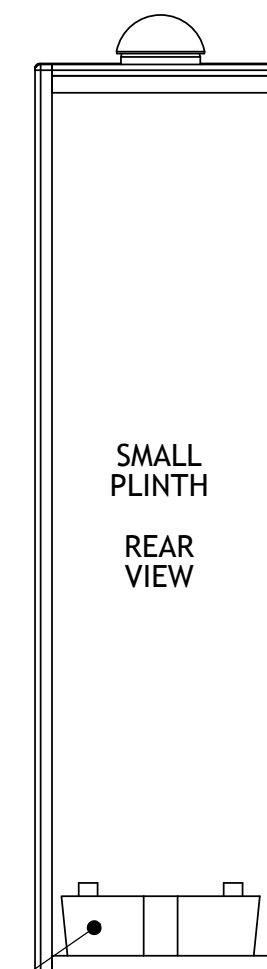
LARGE PLINTH HAS LIGHT GREY EDGES & TOP



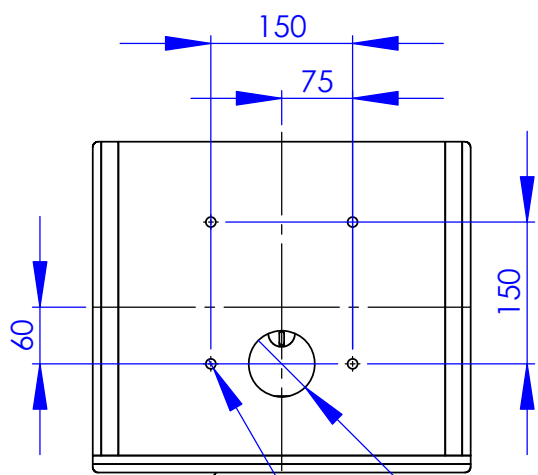
SMALL PLINTH IS WHITE



SMALL PLINTH FRONT & SIDE VIEW



SMALL PLINTH REAR VIEW



FRONT

Ø70 THRU
4 x Ø 10.5 THRU ALL


STAGE WEIGHT (IF NOT BOLTED)

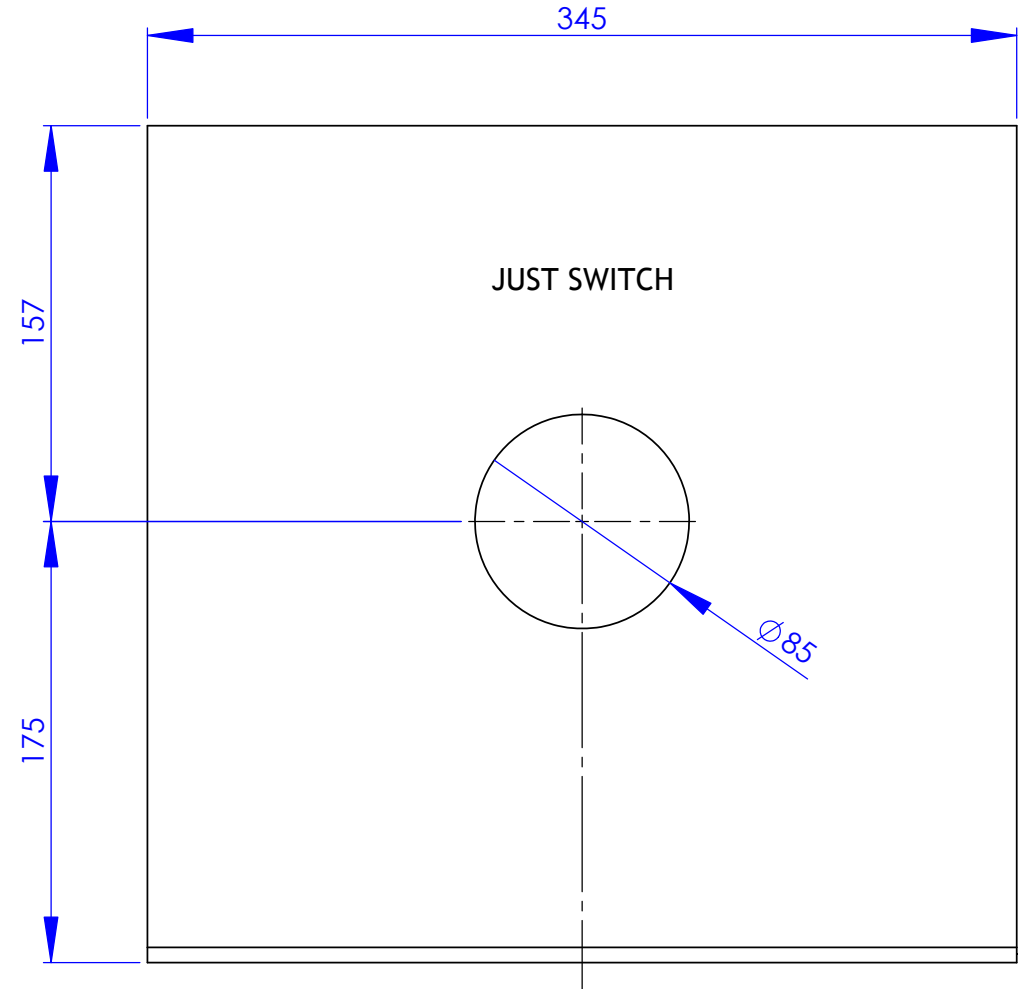
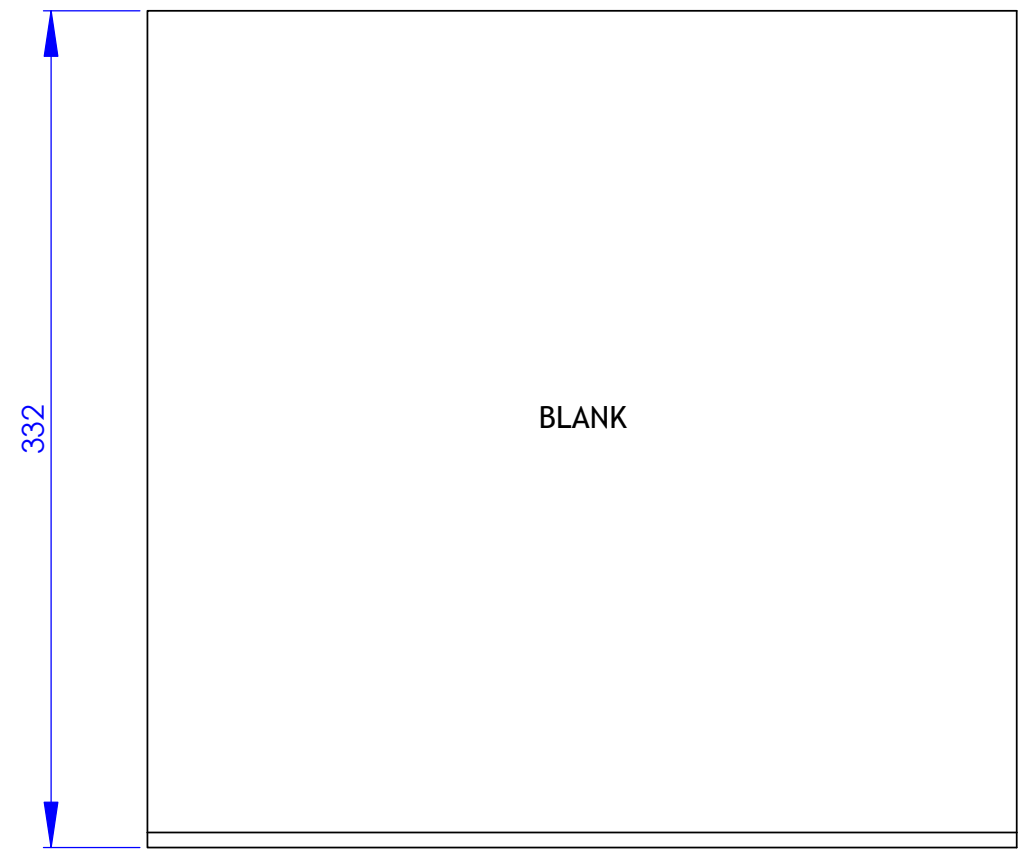
SMALL PLINTH BASE BOLT PROFILE

Ø70 THRU

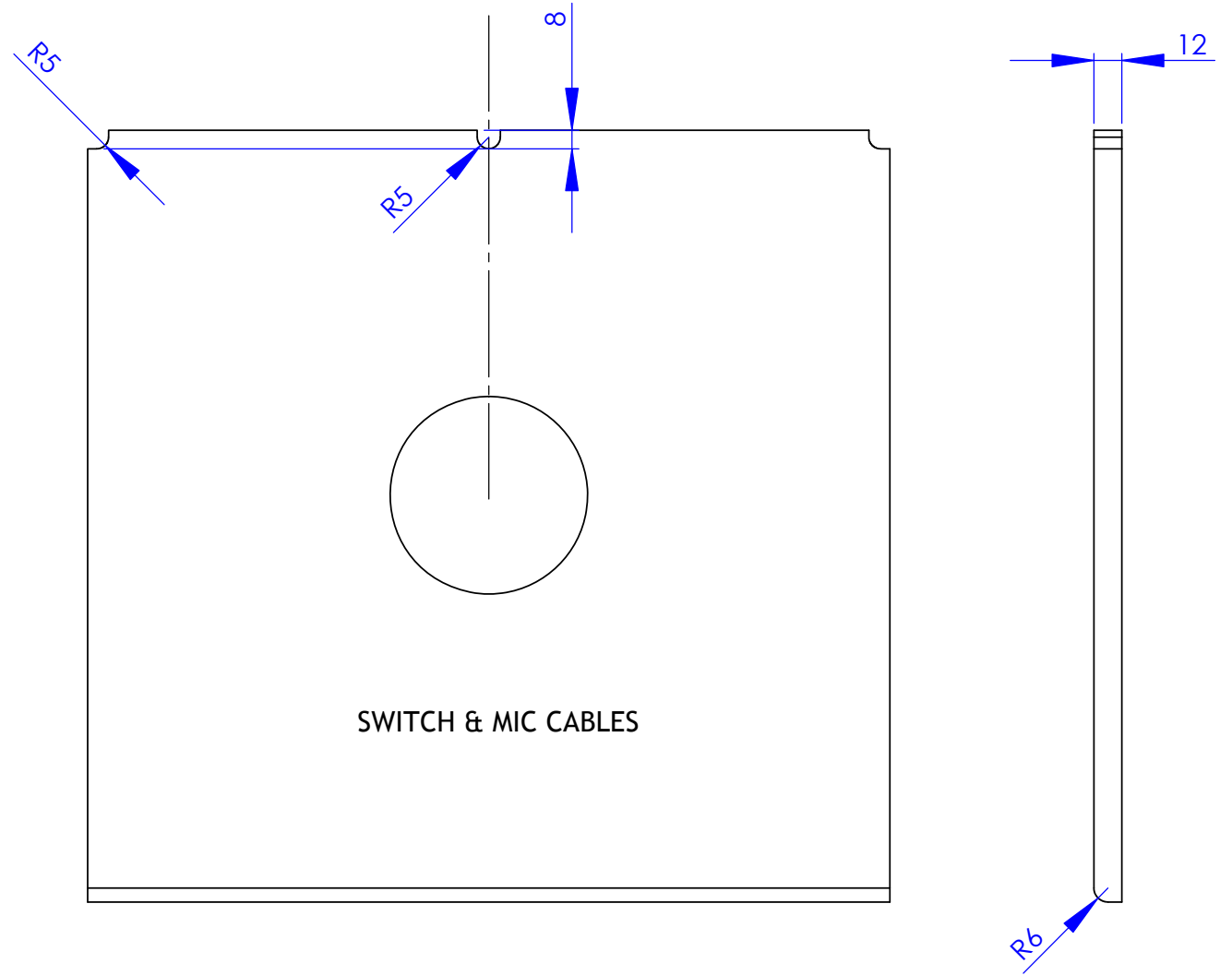
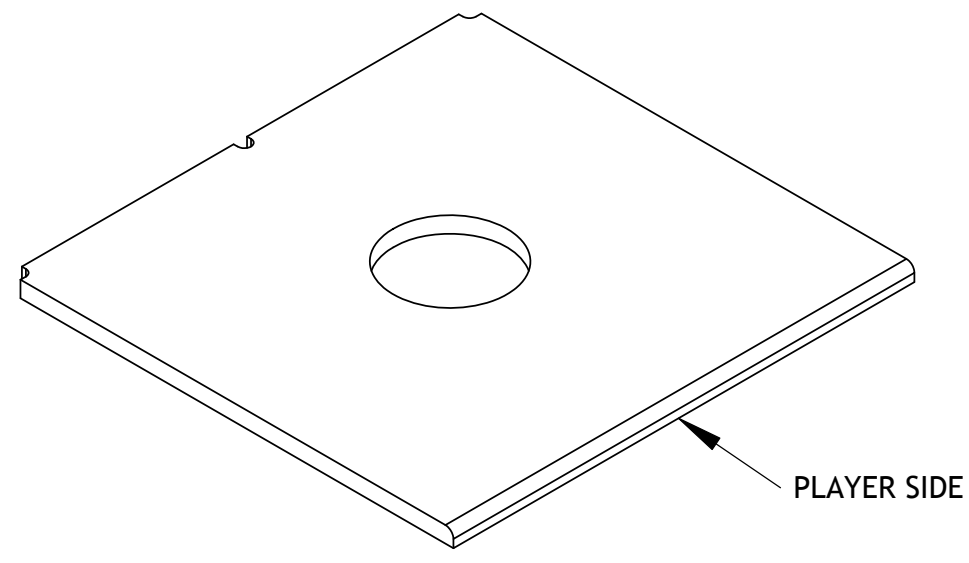
4 x Ø 10.5 THRU ALL


FRONT

QUIZSYSTEMS	N.B. 3MM FOAMEX INSERTS WORK BEST		
	REVISION: 0	DATE: 23/05/20	
LARGE AND SMALL CONTESTANT PLINTHS	DRAWN: JOHN WALKER	DO NOT SCALE FROM THIS DRAWING	IF IN DOUBT - ASK!



RAD to FRONT



QUIZSYSTEMS	MATERIAL: 12MM MDF - LIGHT GREY PAINT		 195 Thornhill Road Surbiton Surrey KT6 7TG Tel: +44 (0)20 8288 0246 E: web@quizsystems.co.uk W: www.quizsystems.co.uk
	LARGE PLINTH TOP OPTIONS	REVISION: 0	
	DATE: 18/12/19	DRAWN: JOHN WALKER	IF IN DOUBT - ASK!