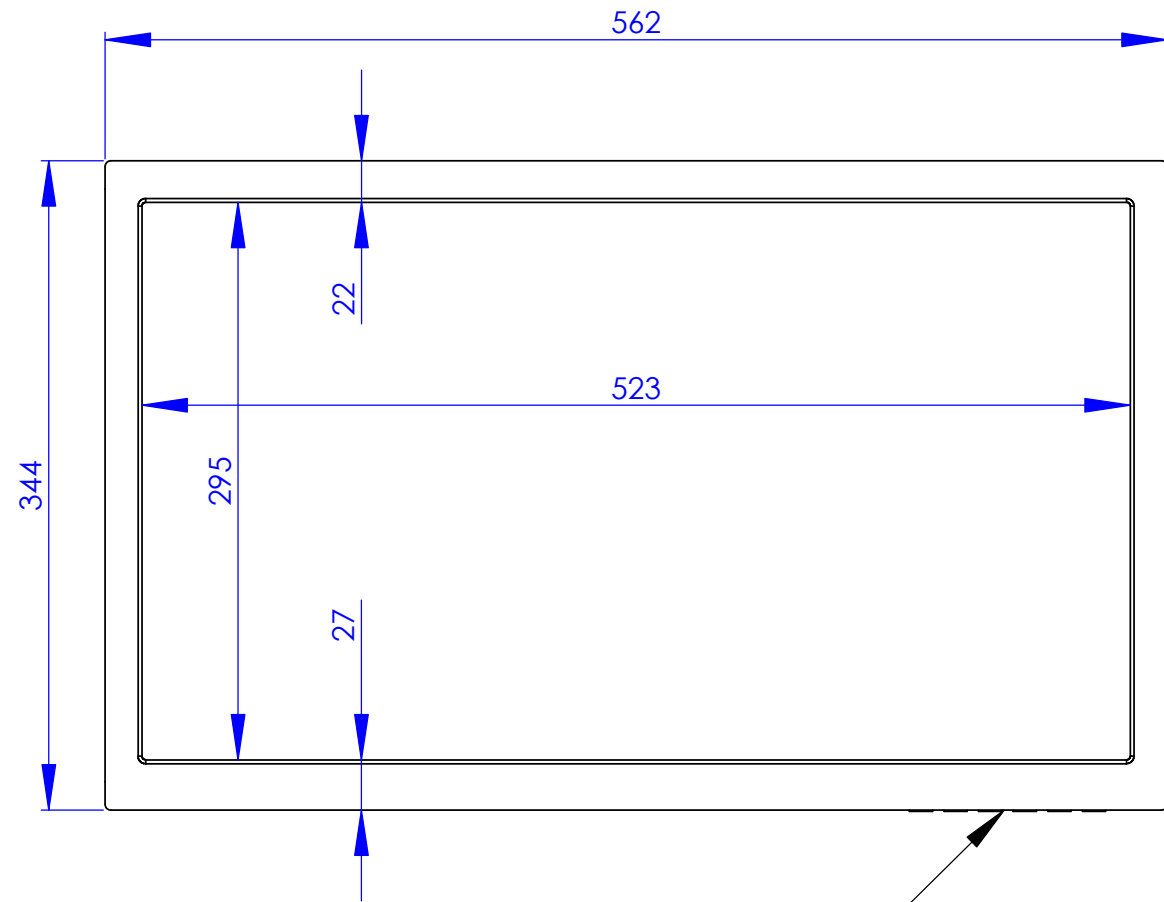
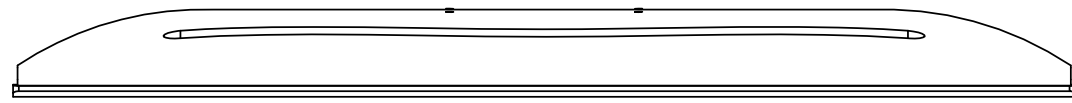
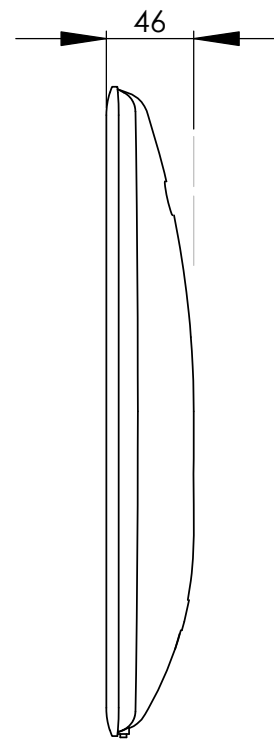


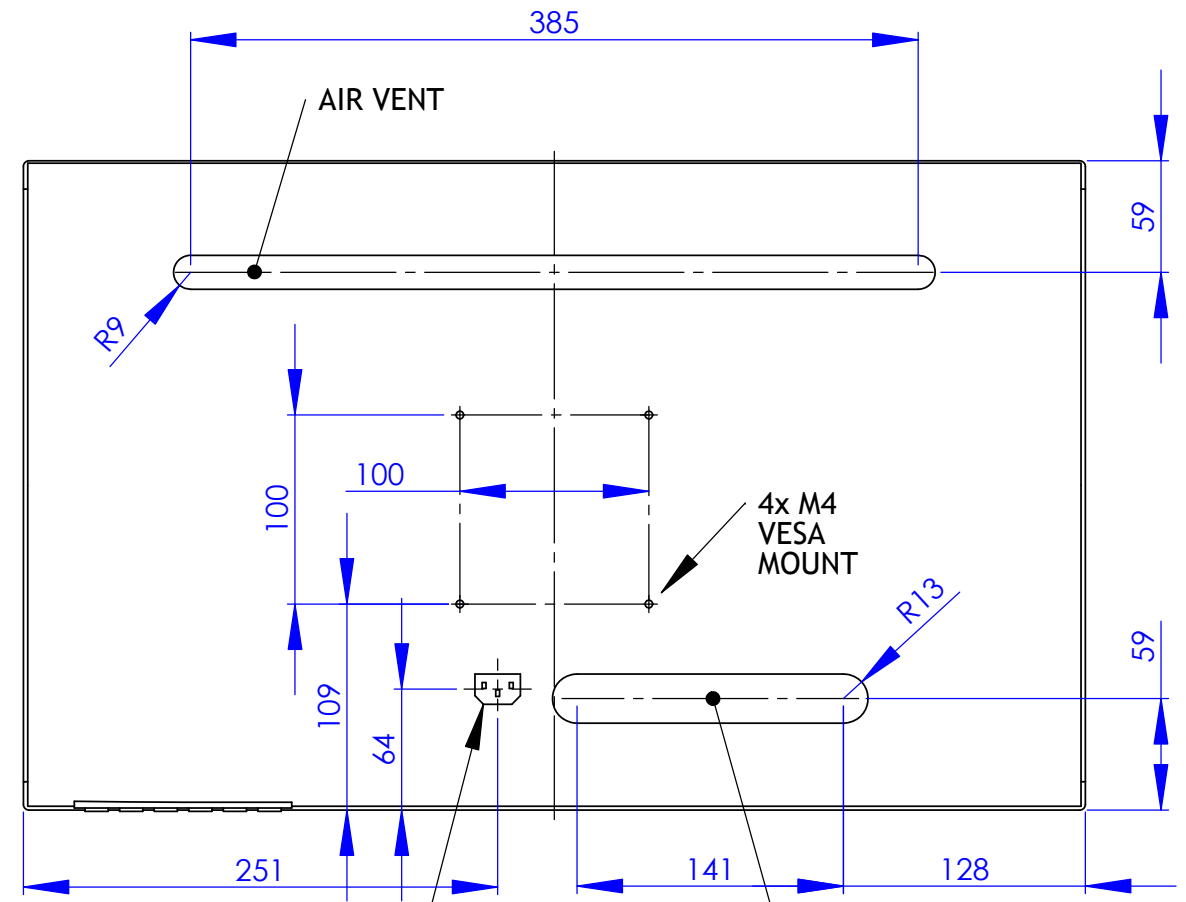
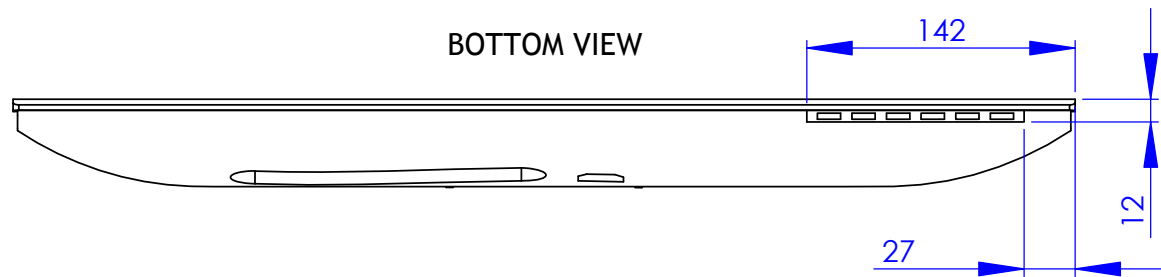
TOP VIEW



5x PICTURE CONTROLS



BOTTOM VIEW



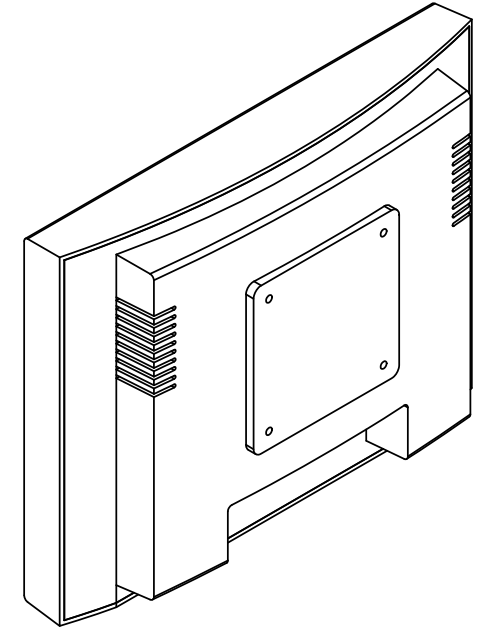
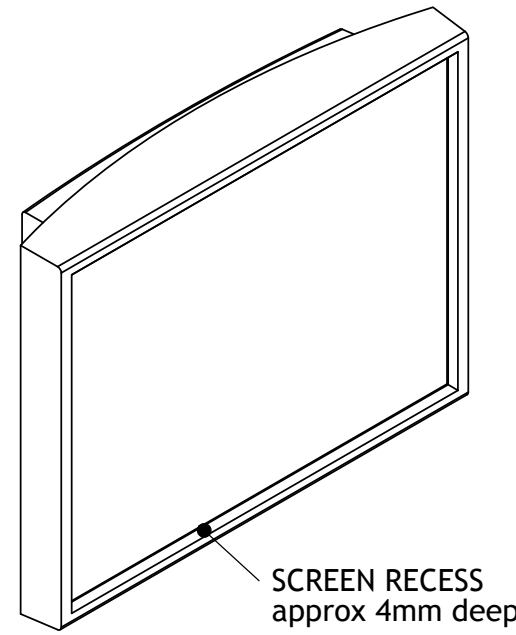
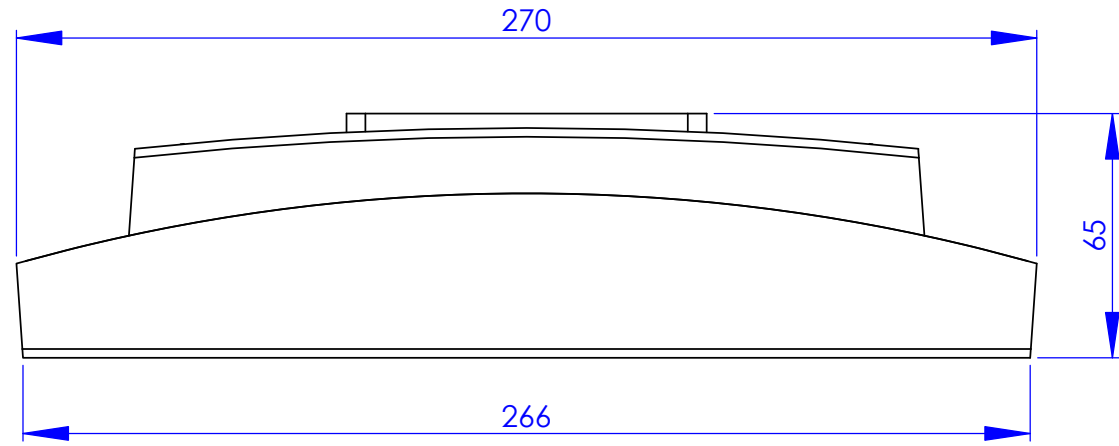
AIR VENT

4x M4 VESA MOUNT

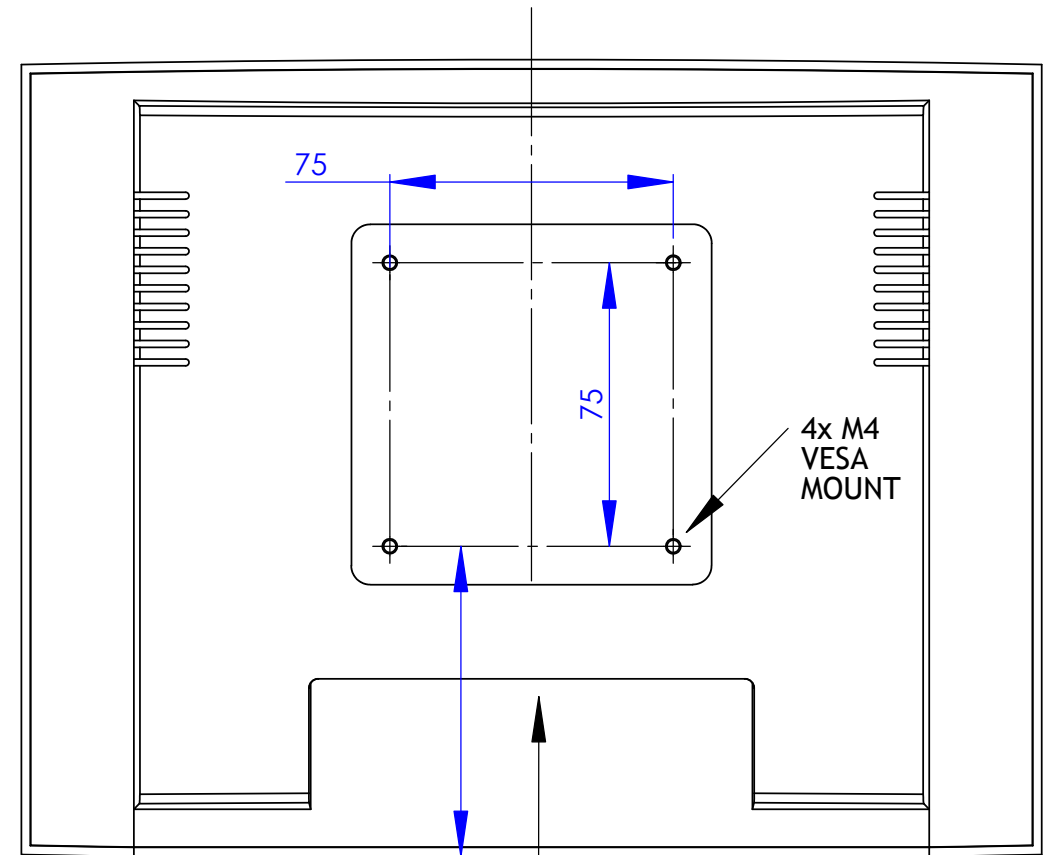
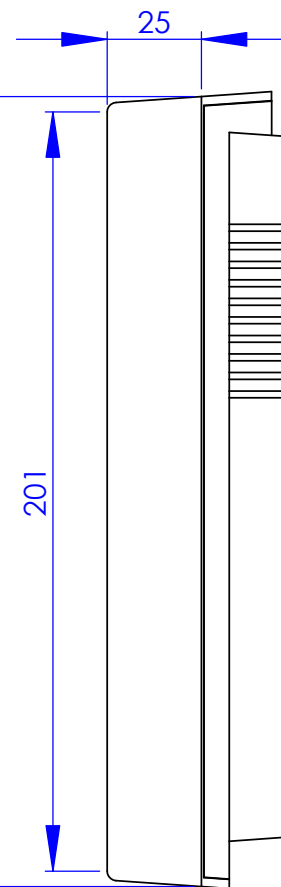
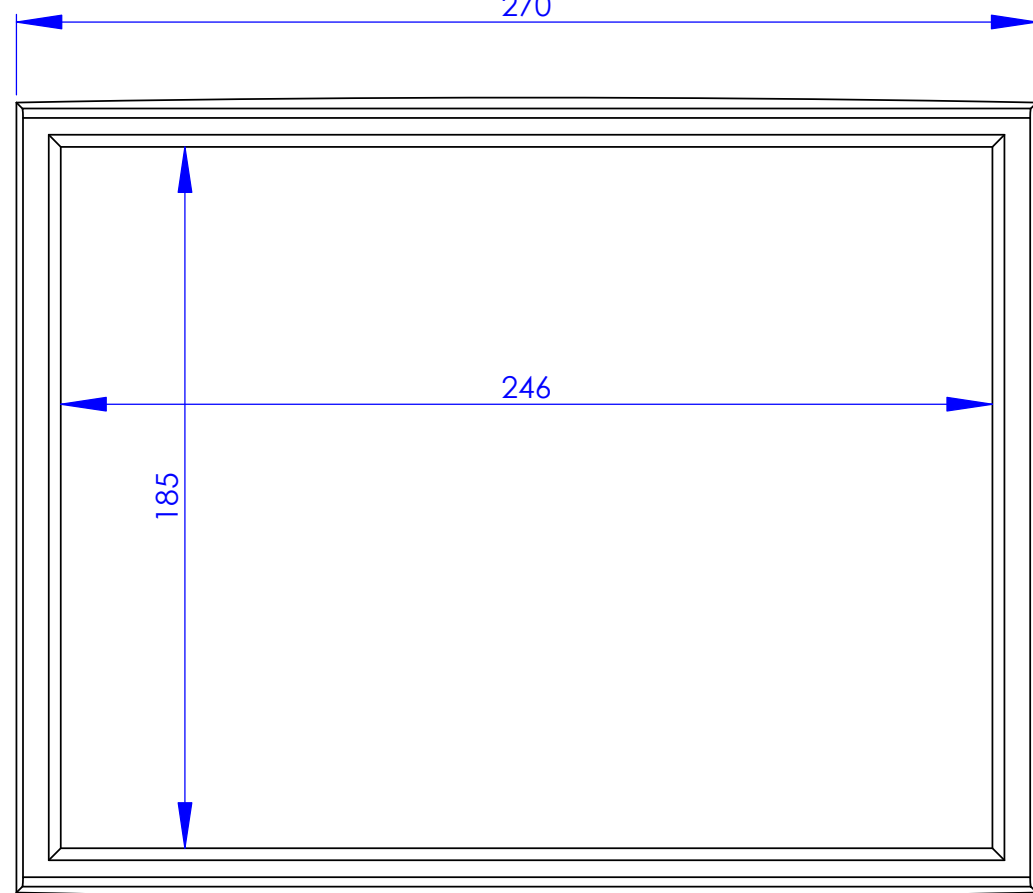
IEC INLET FOR POWER

VIDEO CONNECTIONS

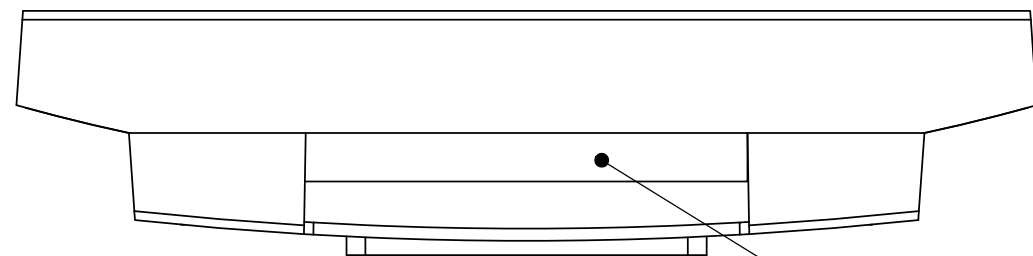
TOP VIEW



270



BOTTOM VIEW



VIDEO AND POWER CONNECTION RECESS

QUIZSYSTEMS

LOTTERY MONITOR
KEY DIMENSIONS

REVISION: 0

DATE: 26/04/20

DRAWN: JOHN WALKER

DO NOT SCALE
FROM THIS DRAWING
IF IN DOUBT - ASK!



195 Thornhill Road
Surbiton Surrey KT6 7TG
Tel: +44 (0)20 8288 0246
E: web@quizsystems.co.uk
W: www.quizsystems.co.uk