
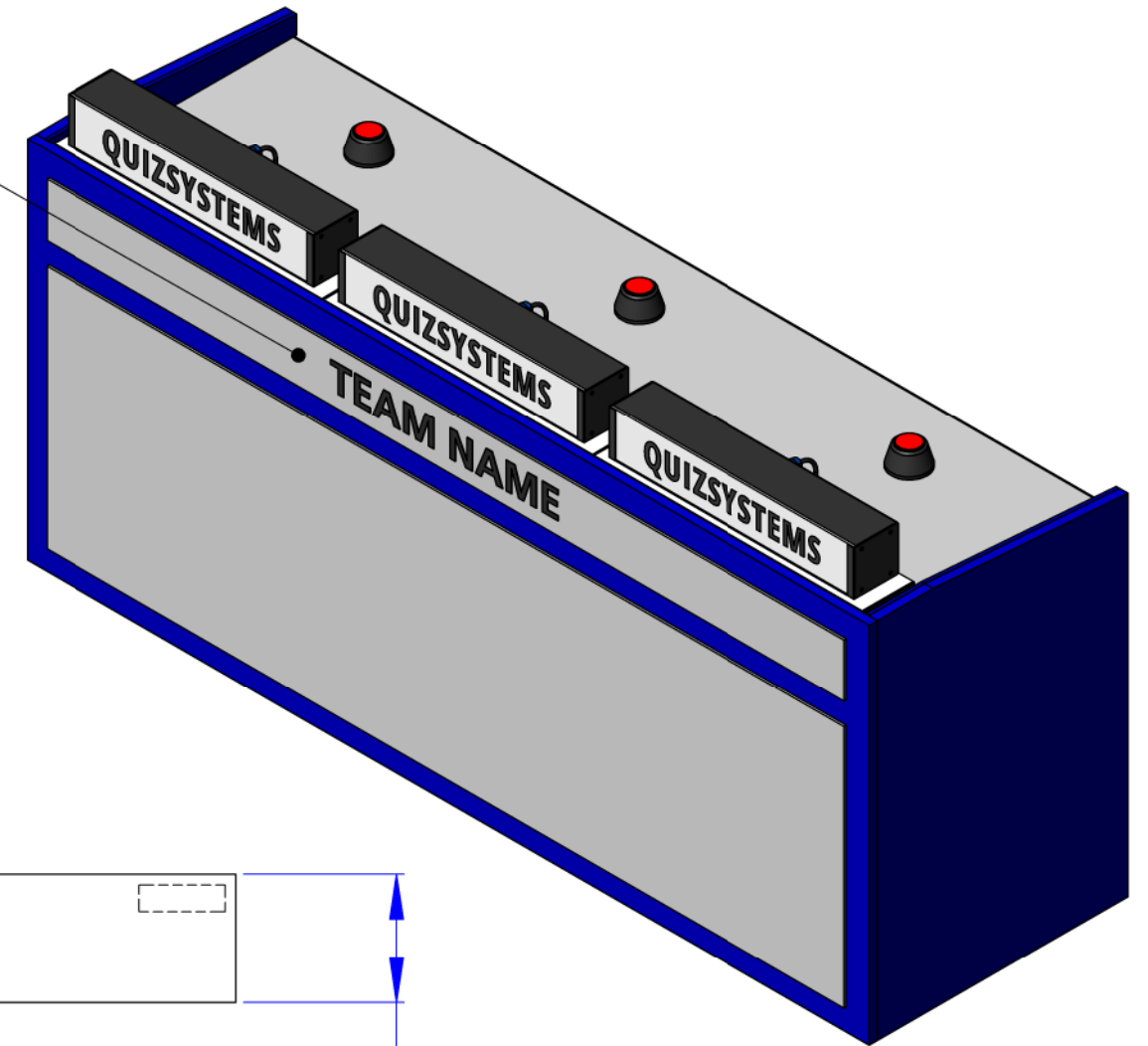
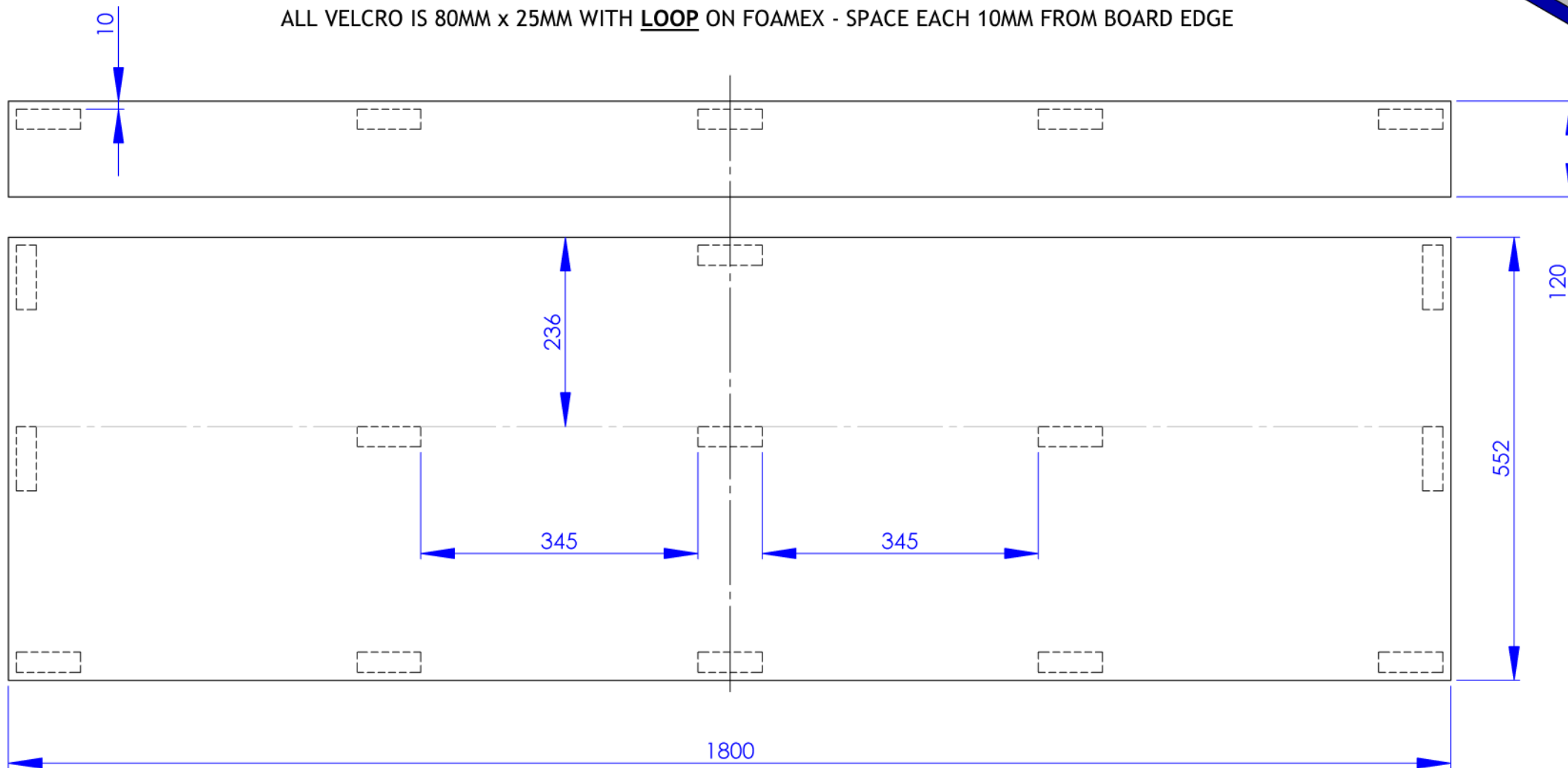


<b>QUIZSYSTEMS</b> THREE PLAYER DESK OVERALL SIZE INFORMATION	OUTER MATERIAL: FELTED 18MM MDF		 195 Thornhill Road Surbiton Surrey KT6 7TG Tel: +44 (0)20 8288 0246 E: web@quizsystems.co.uk W: www.quizsystems.co.uk
	REVISION: 0 DATE: 26/10/23 DRAWN: JOHN WALKER	DO NOT SCALE FROM THIS DRAWING IF IN DOUBT - ASK!	


TEAM NAME FONT TYPICALLY 60MM HIGH



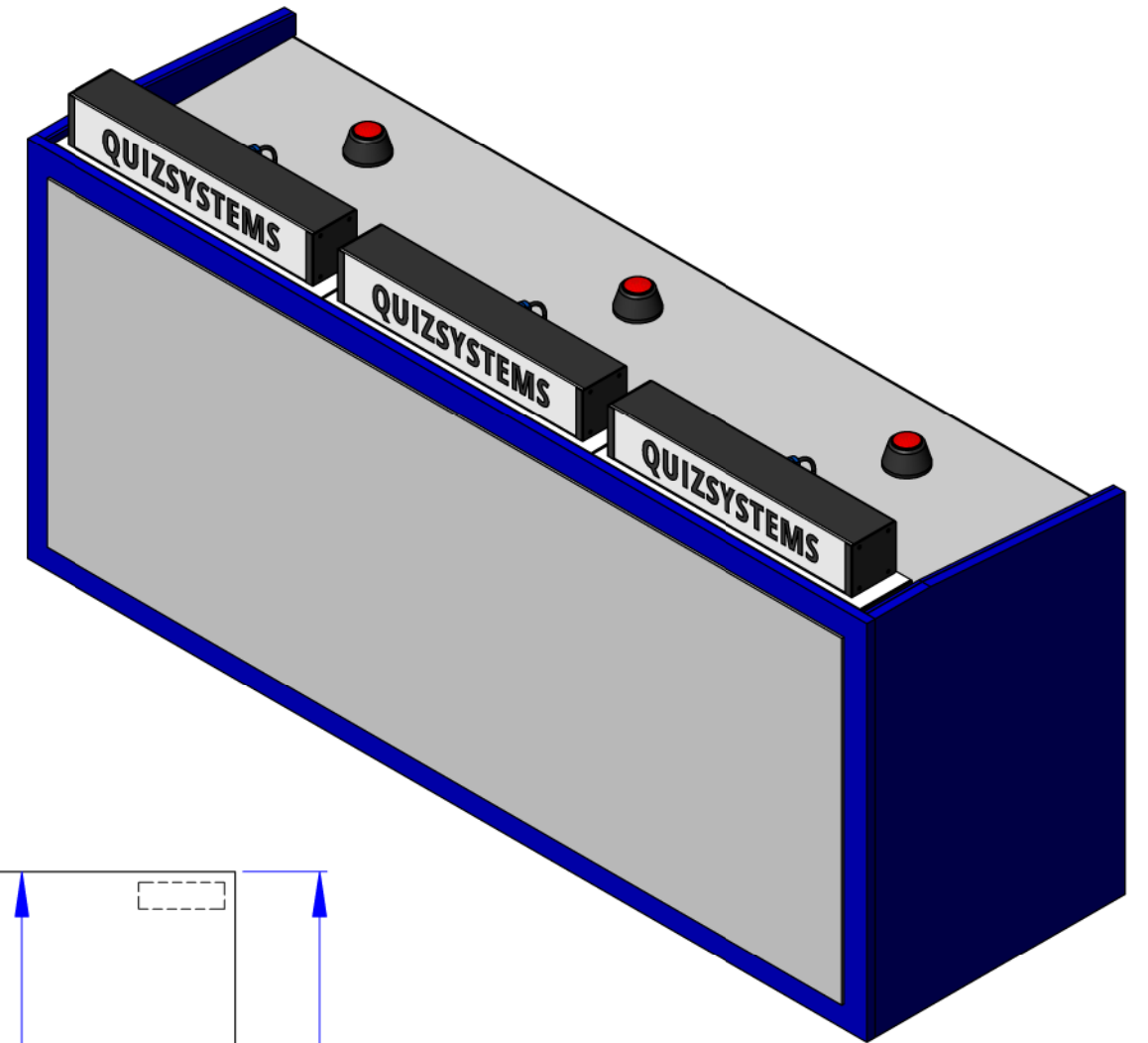
ALL VELCRO IS 80MM x 25MM WITH LOOP ON FOAMEX - SPACE EACH 10MM FROM BOARD EDGE



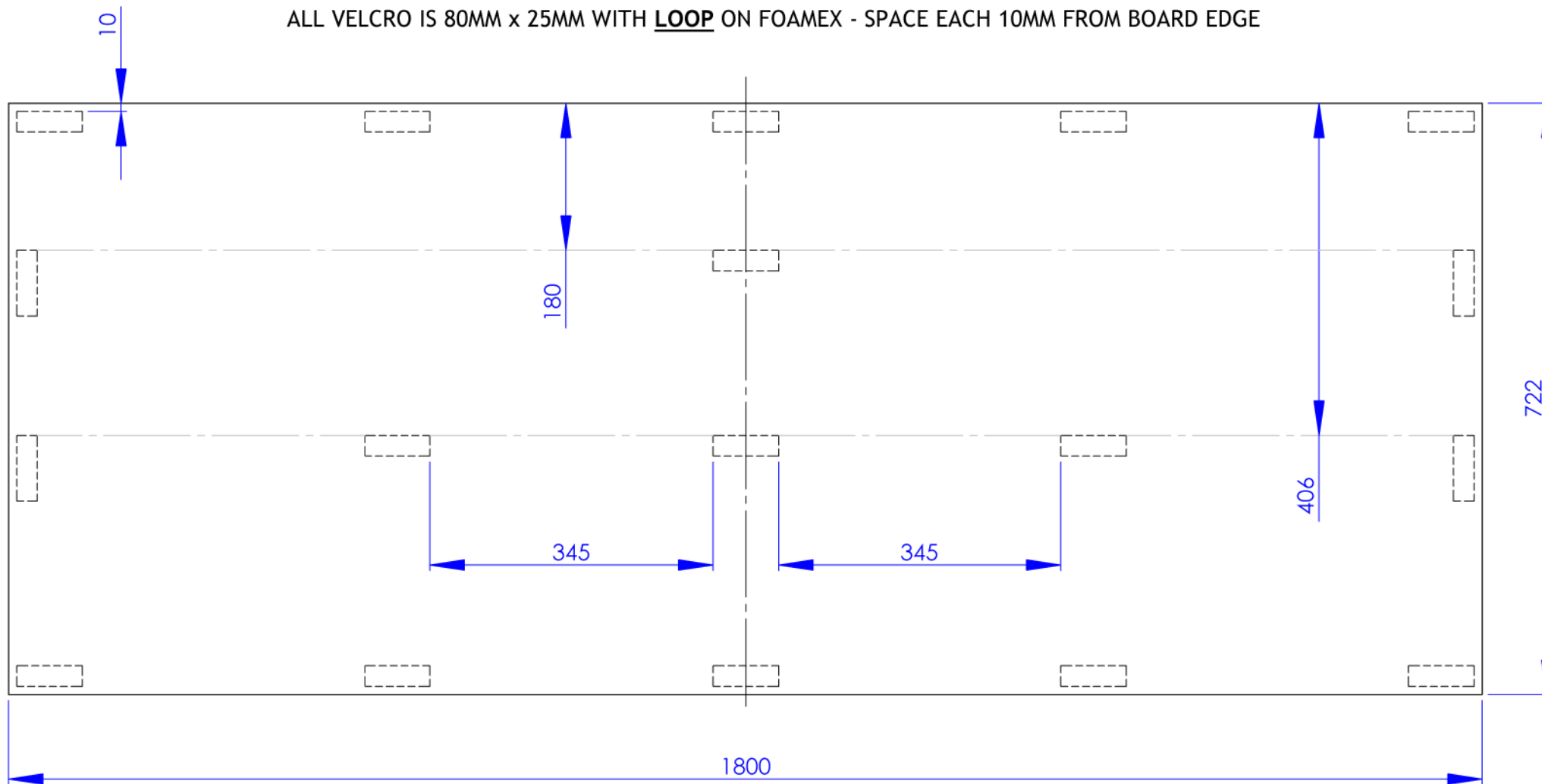
<b>QUIZSYSTEMS</b>	VELCRO: 80mm x 25mm LOOP	
	REVISION: 0	DO NOT SCALE FROM THIS DRAWING
THREE PLAYER DESK TEAM NAME & LOGO FOAMEX	DATE: 26/10/23	IF IN DOUBT - ASK!
	DRAWN: JOHN WALKER	



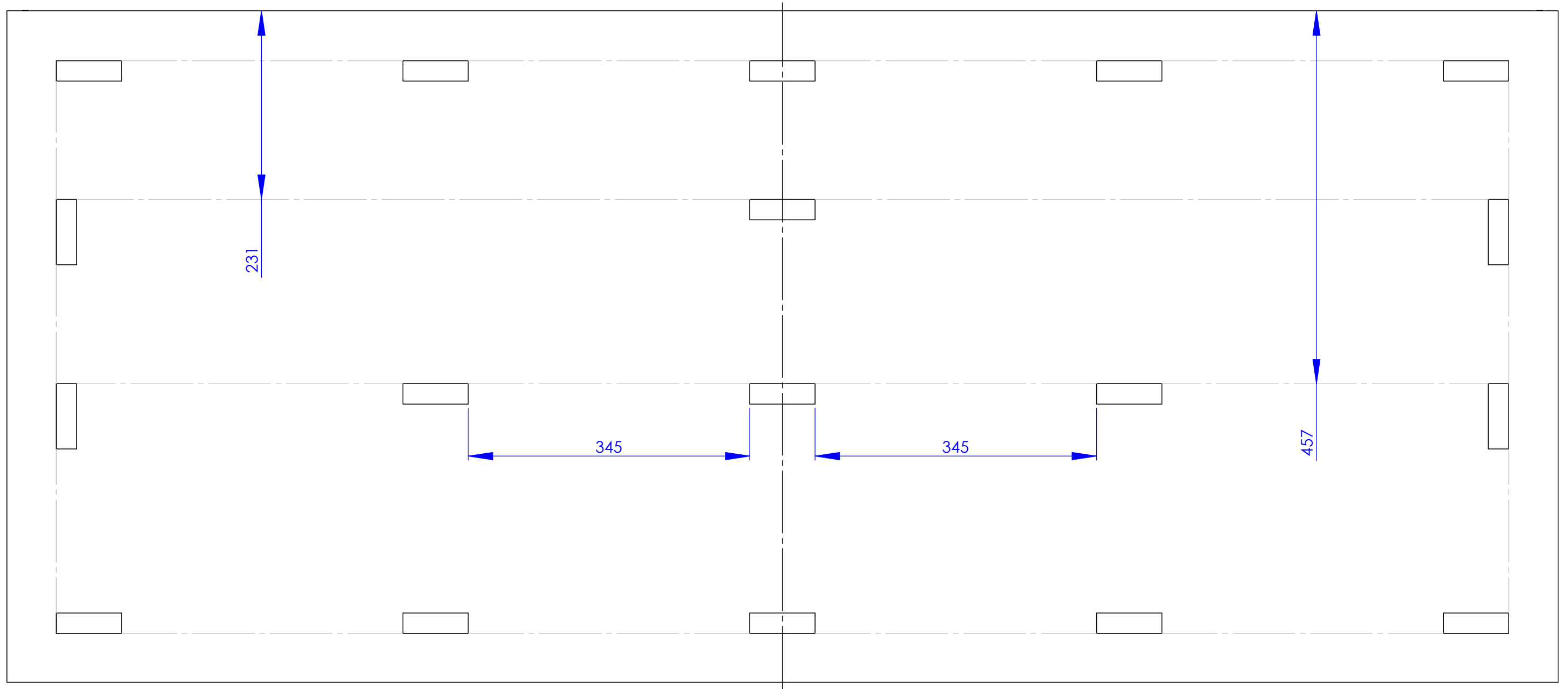
195 Thornhill Road  
Surbiton Surrey KT6 7TG  
Tel: +44 (0)20 8288 0246  
E: web@quizsystems.co.uk  
W: www.quizsystems.co.uk



ALL VELCRO IS 80MM x 25MM WITH LOOP ON FOAMEX - SPACE EACH 10MM FROM BOARD EDGE



ALL VELCRO 80MM x 25MM HOOK. VELCRO AROUND PERIMETER IS 60MM FROM EDGE



N.B. THIS DRAWING COVERS VELCRO TYPICALLY FITTED TO DESK PRE-SITE (BY QUIZSYSTEMS WORKSHOP)