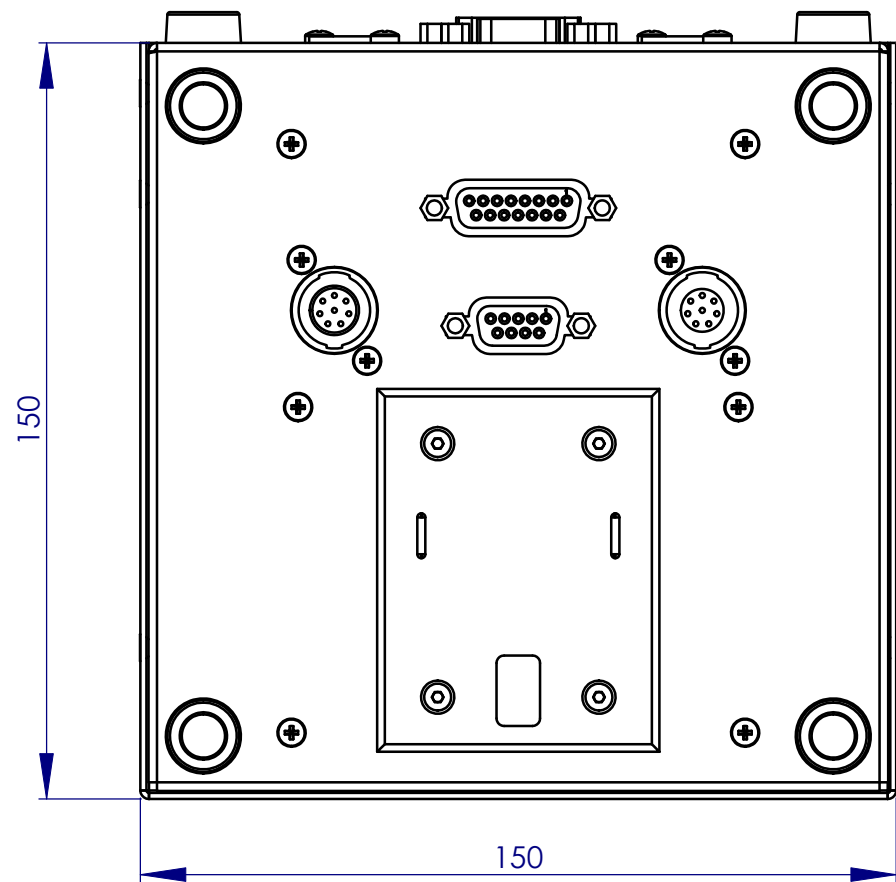
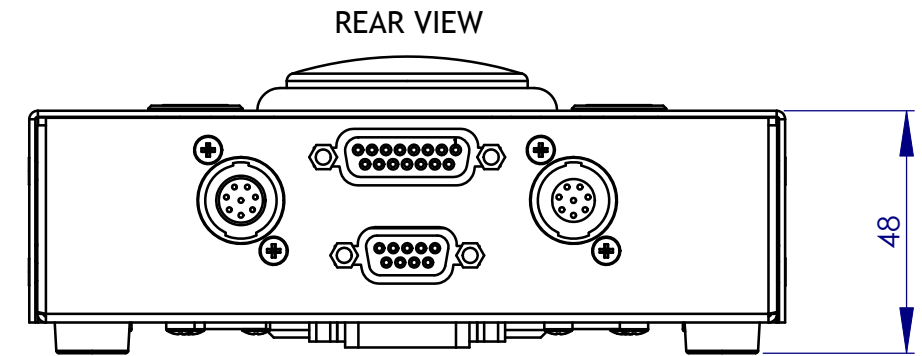


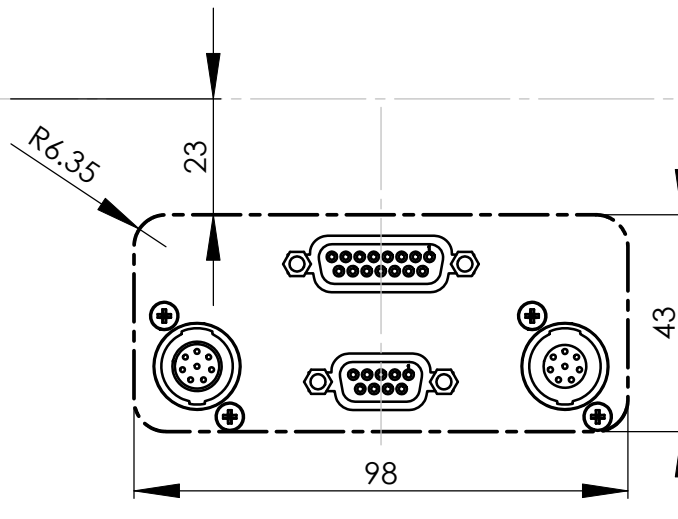
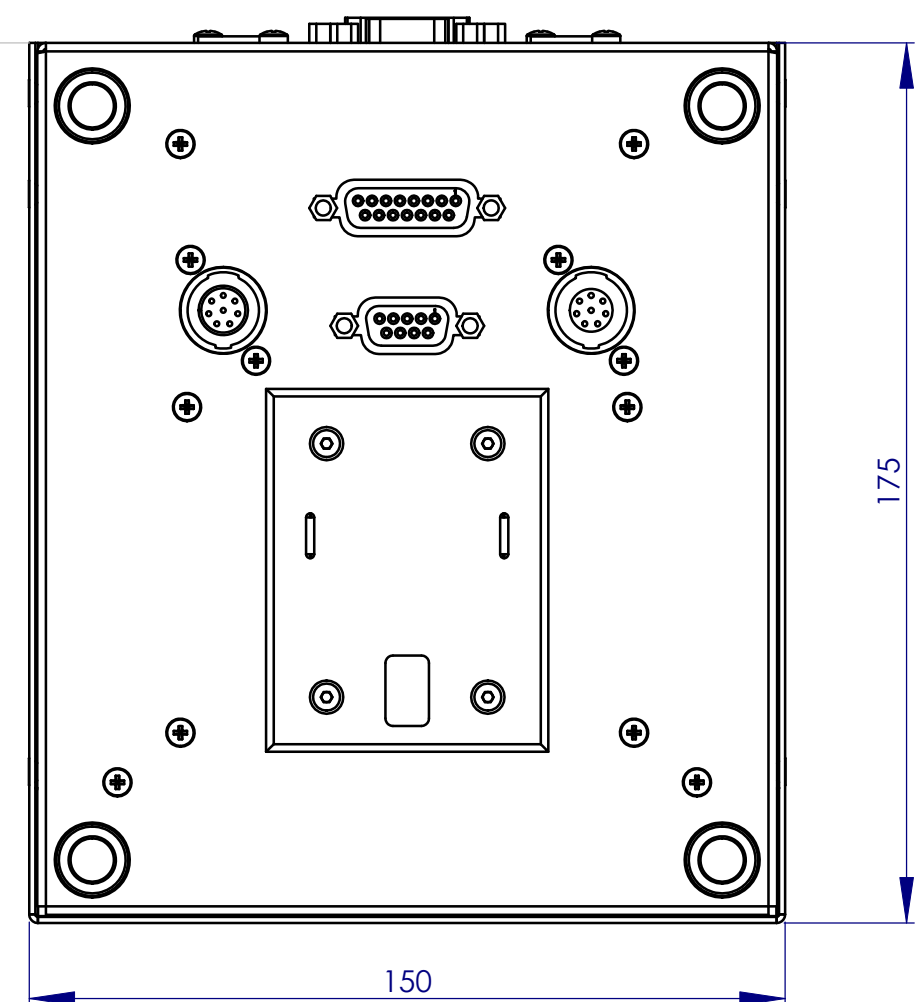
QUIZCLASSIC SHOWN
(QUIZMASTERDISPLAY IS DIMENSIONALLY IDENTICAL)



N.B. EACH UNIT OFFERS A CHOICE OF CONNECTION; EITHER ON THE REAR OR UNDERNEATH;
I.E. YOU DO NOT HAVE TO USE THE BOTTOM CONNECTIONS UNLESS YOU WISH TO CONCEAL THE WIRING.




QUIZPLUS SHOWN
(QUIZMASTER IS DIMENSIONALLY IDENTICAL)



THE ABOVE SKETCH SHOWS THE RECOMMENDED DESK CUTOUT FOR CONNECTION TO THE BOTTOM OF EACH UNIT.

N.B. ALL BUTTON/CONTROL UNITS (EXCEPT A QUIZSOLO) CONFORM TO ONE OF THE ABOVE SETS OF DIMENSIONS

QUIZSYSTEMS QUIZCLASSIC/PLUS/MASTER/MASTERDISPLAY GENERAL DIMENSIONAL OVERVIEW	REVISION: 0	DO NOT SCALE FROM THIS DRAWING IF IN DOUBT - ASK!	 195 Thornhill Road Surbiton Surrey KT6 7TG Tel: +44 (0)20 8288 0246 E: web@quizsystems.co.uk W: www.quizsystems.co.uk
	DATE: 02/07/10		
	DRAWN: JOHN WALKER		