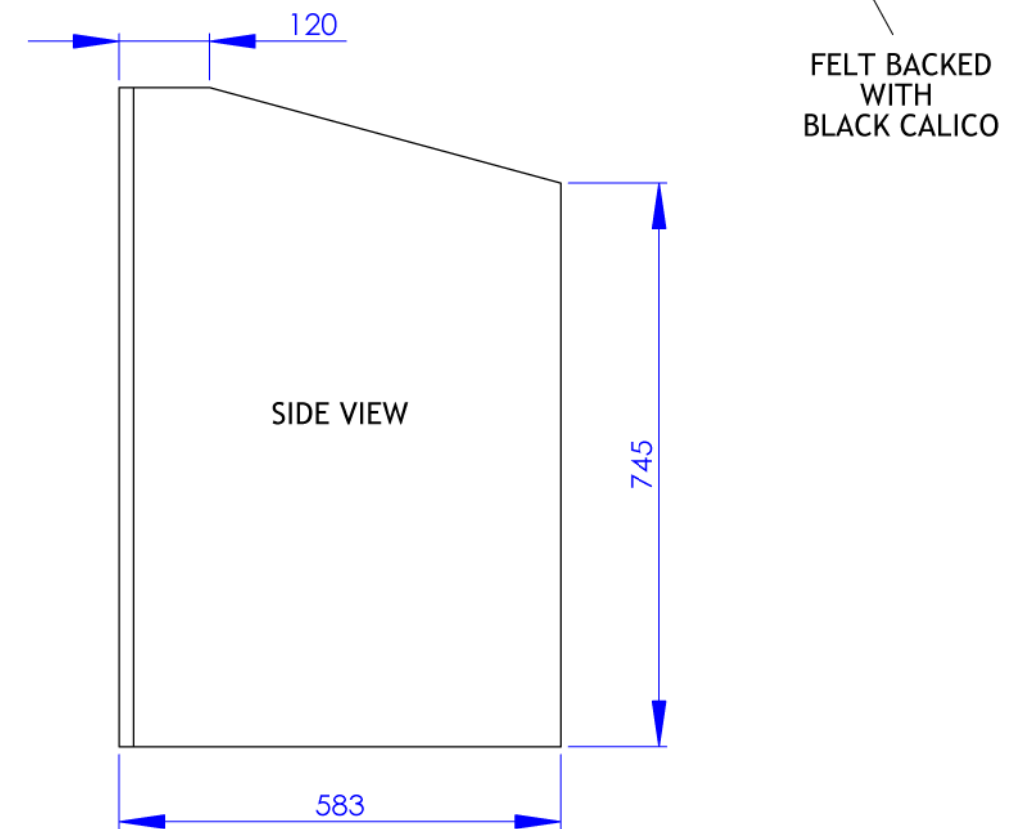
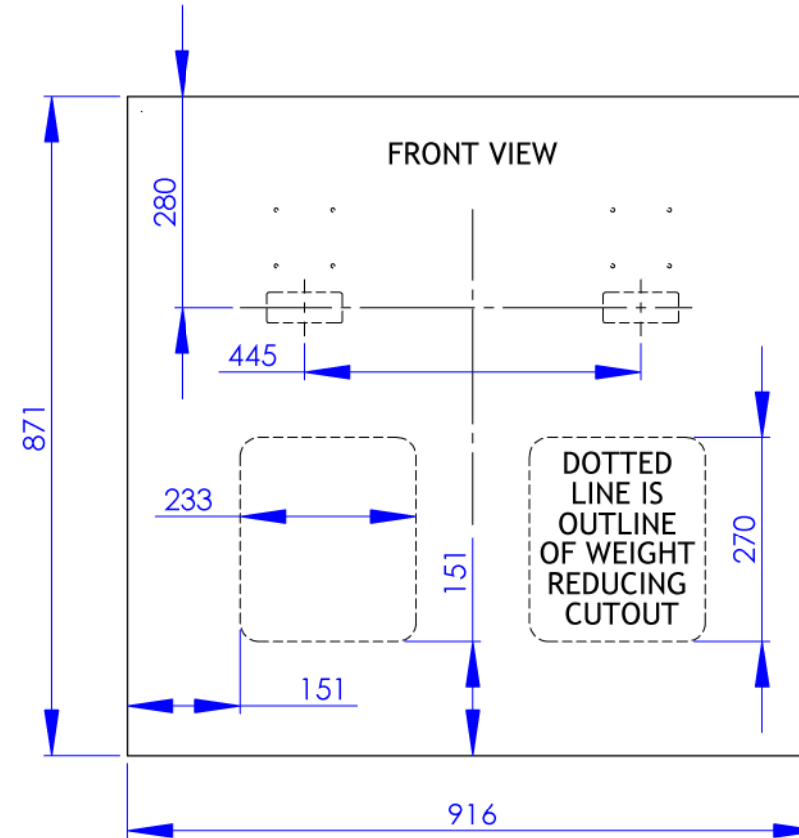
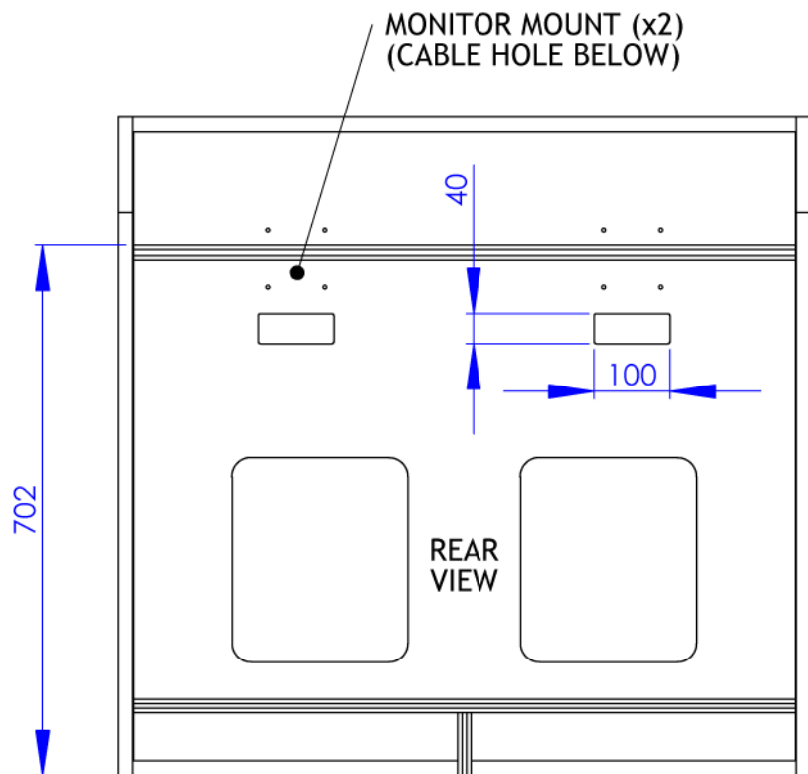
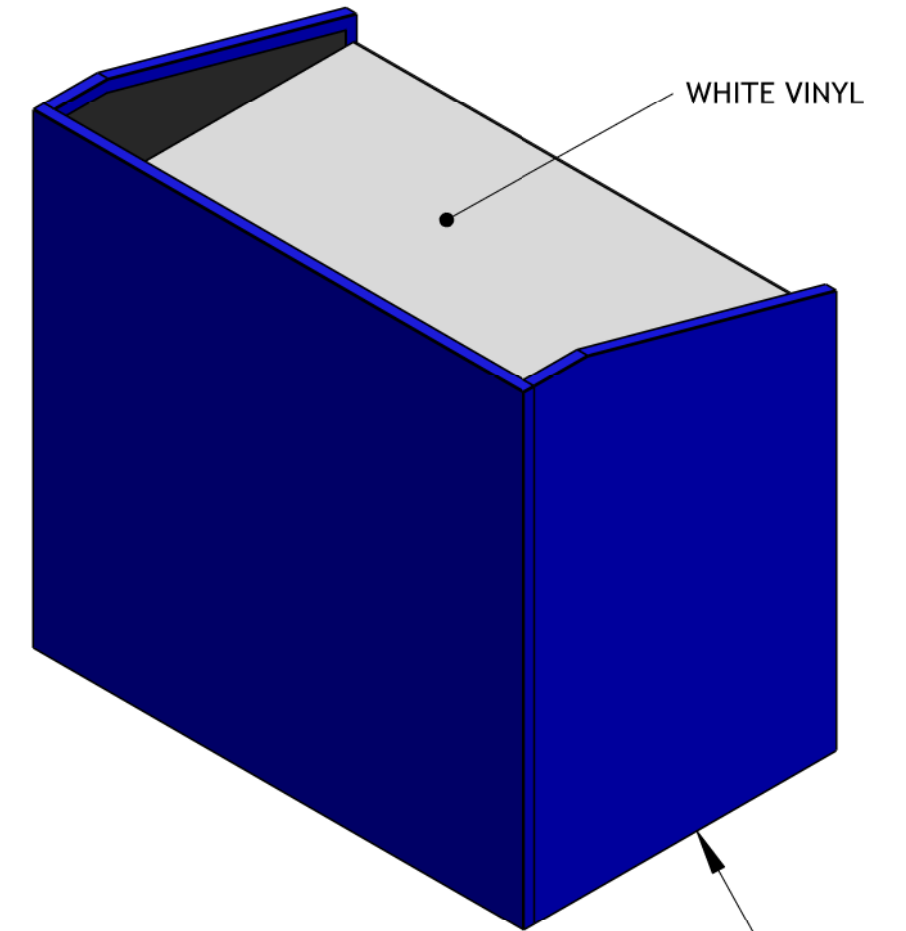
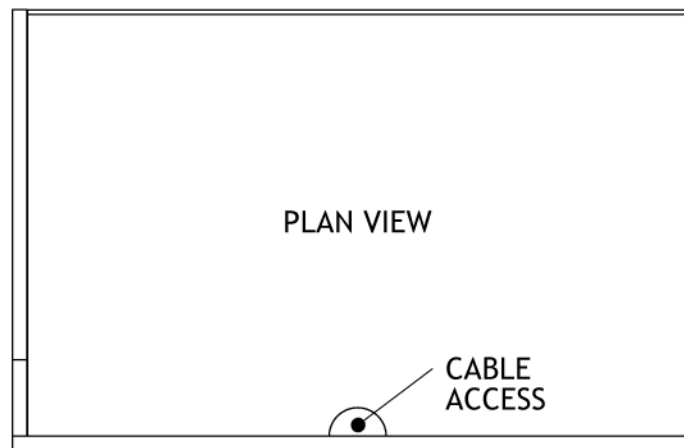

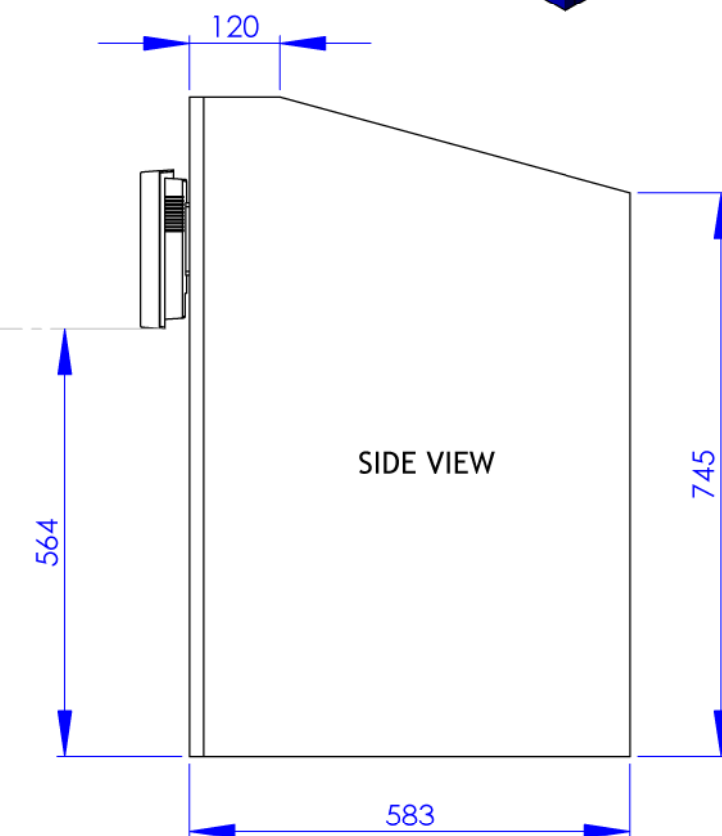
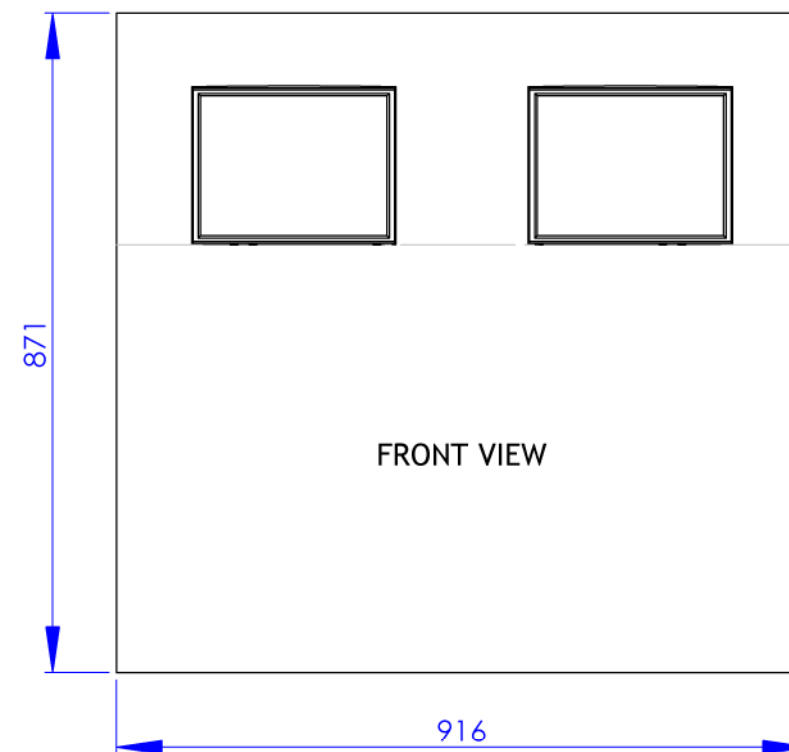
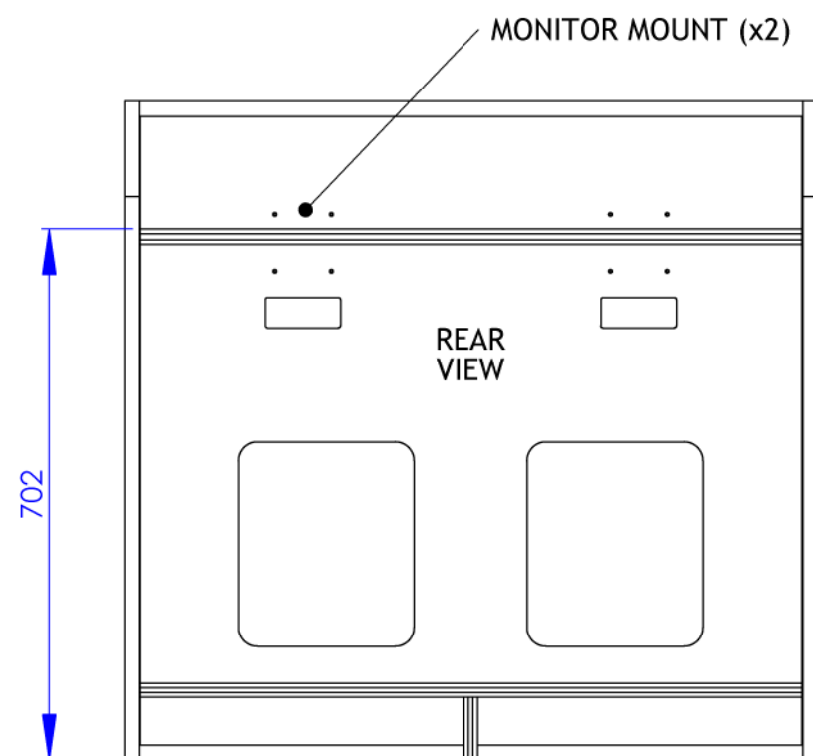
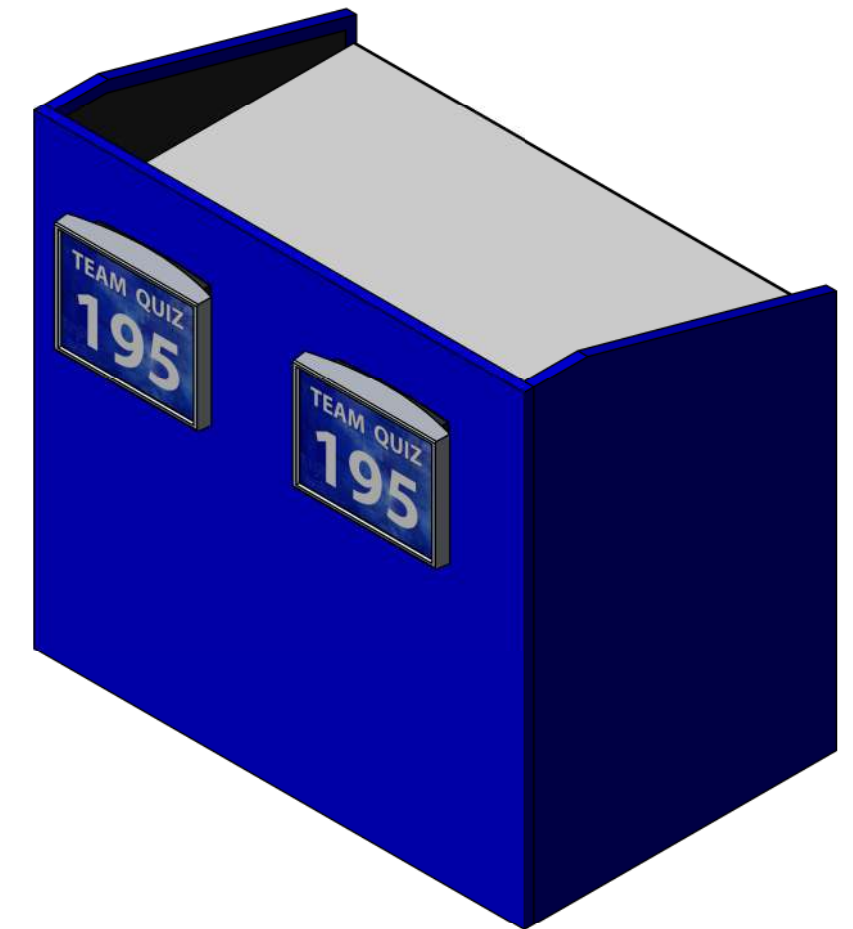
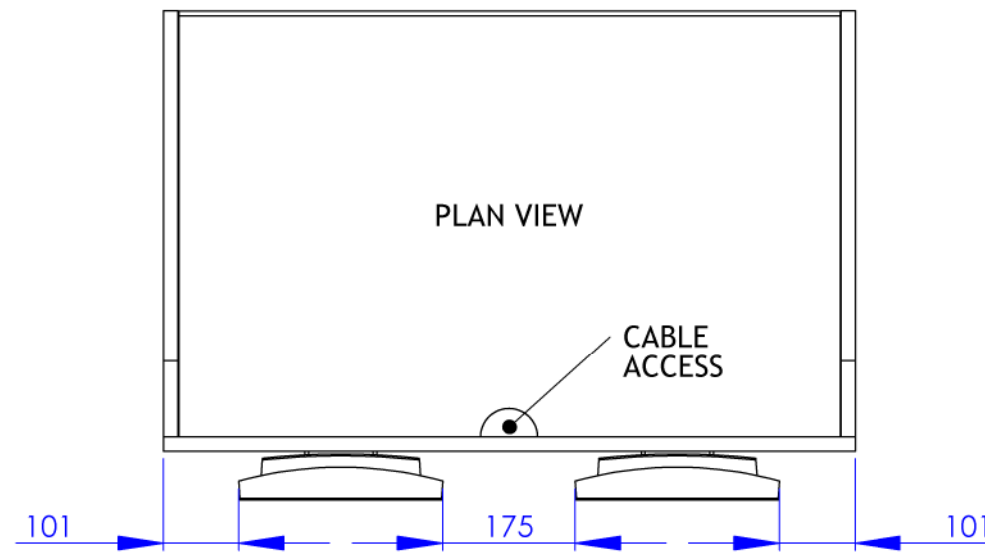
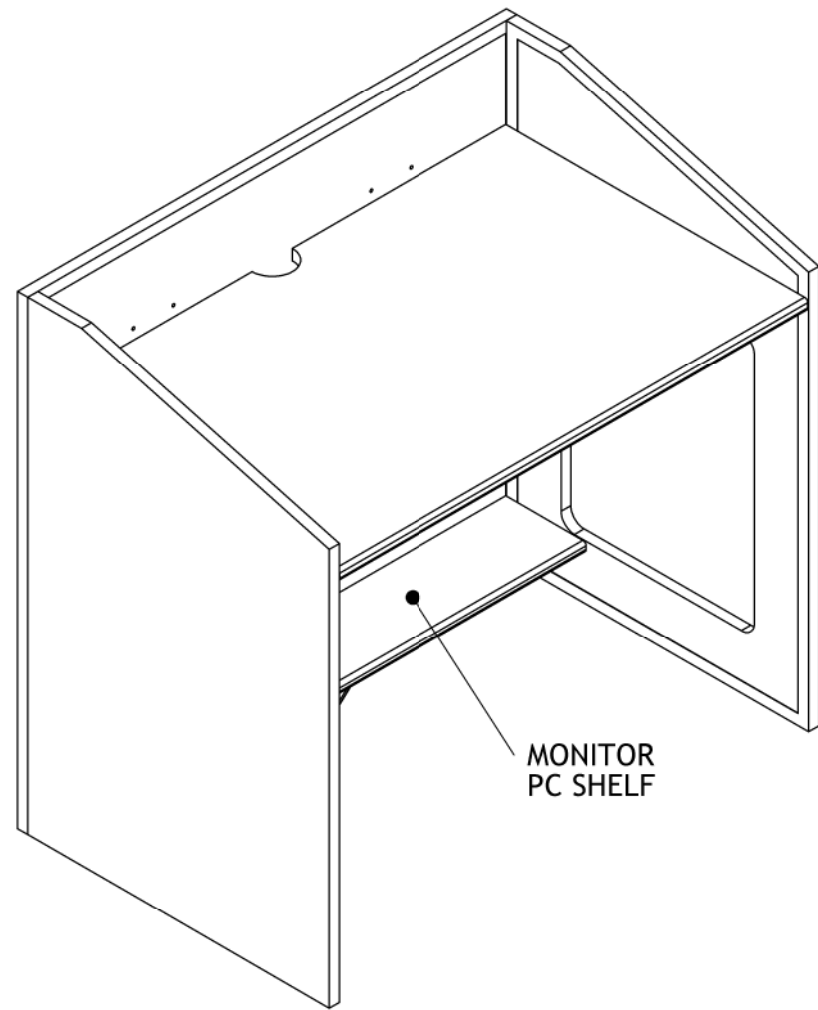



N.B. SCORING MONITORS ARE OPTIONAL;  
IF NOT REQUIRED, MOUNTING HOLES  
ARE SIMPLY NOT CUT THROUGH FELT.



<b>QUIZSYSTEMS</b>  QUIZ HOST DESK	OUTER MATERIAL: FELTED 18MM MDF		 195 Thornhill Road Surbiton Surrey KT6 7TG Tel: +44 (0)20 8288 0246 E: web@quizsystems.co.uk W: www.quizsystems.co.uk
	REVISION: 2	DO NOT SCALE FROM THIS DRAWING	
	DATE: 03/11/23	IF IN DOUBT - ASK!	
	DRAWN: JOHN WALKER		



<b>QUIZSYSTEMS</b>	OUTER MATERIAL: FELTED 18MM MDF		 195 Thornhill Road Surbiton Surrey KT6 7TG Tel: +44 (0)20 8288 0246 E: web@quizsystems.co.uk W: www.quizsystems.co.uk
	REVISION: 1	DO NOT SCALE FROM THIS DRAWING	
QUIZ HOST DESK (with MONITORS)	DATE: 03/11/23	DRAWN: JOHN WALKER	IF IN DOUBT - ASK!