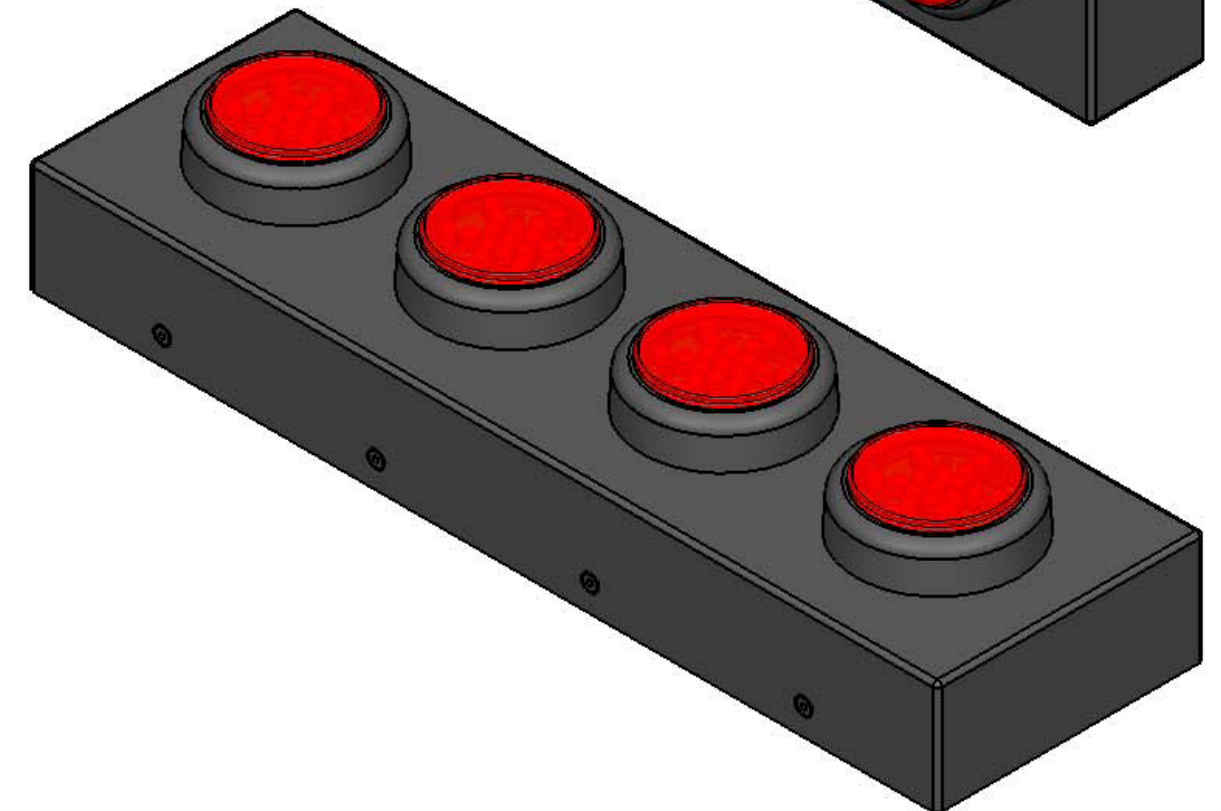
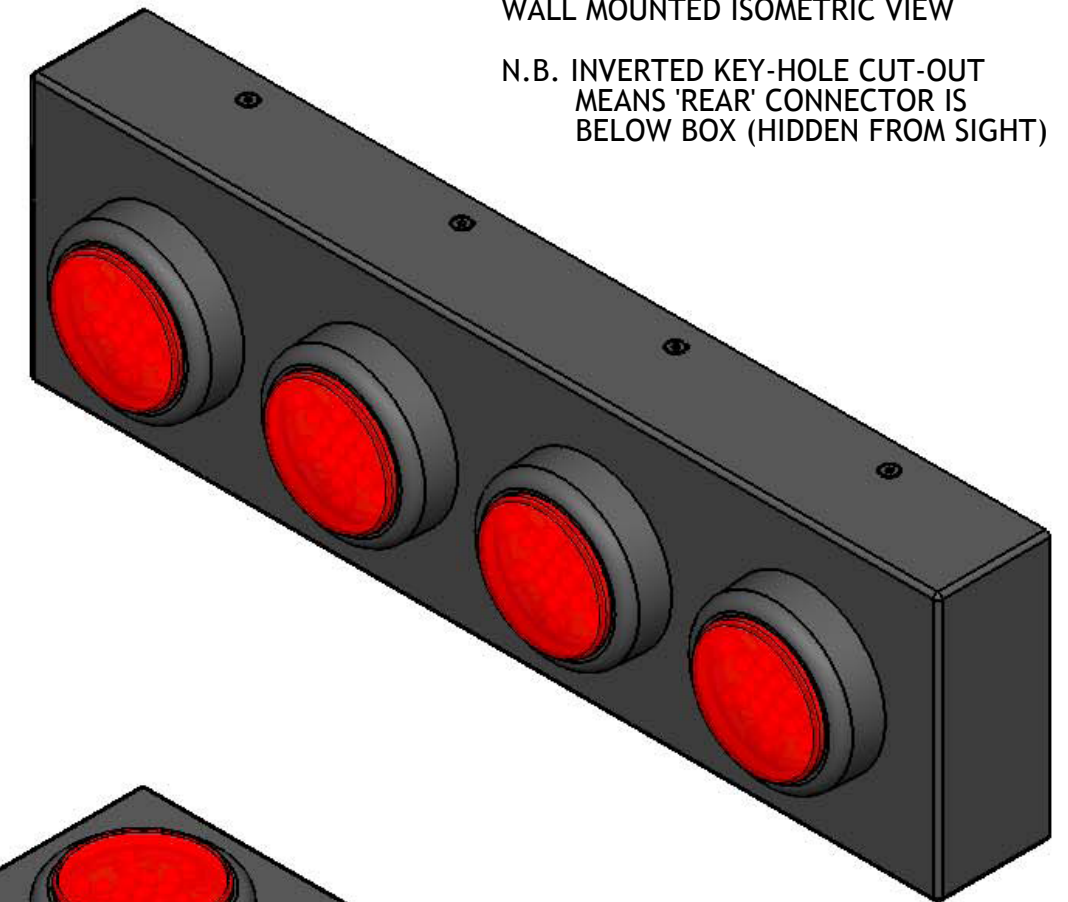



WALL MOUNTED ISOMETRIC VIEW

N.B. INVERTED KEY-HOLE CUT-OUT MEANS 'REAR' CONNECTOR IS BELOW BOX (HIDDEN FROM SIGHT)



<b>QUIZSYSTEMS</b>	BLACK PAINTED STEEL/RED SWITCHES		
	REVISION: 0	DATE: 01/07/10	
QUIZSWITCH4 (4x USER SWITCHES IN ONE BOX)	DRAWN: JOHN WALKER	DO NOT SCALE FROM THIS DRAWING IF IN DOUBT - ASK!	