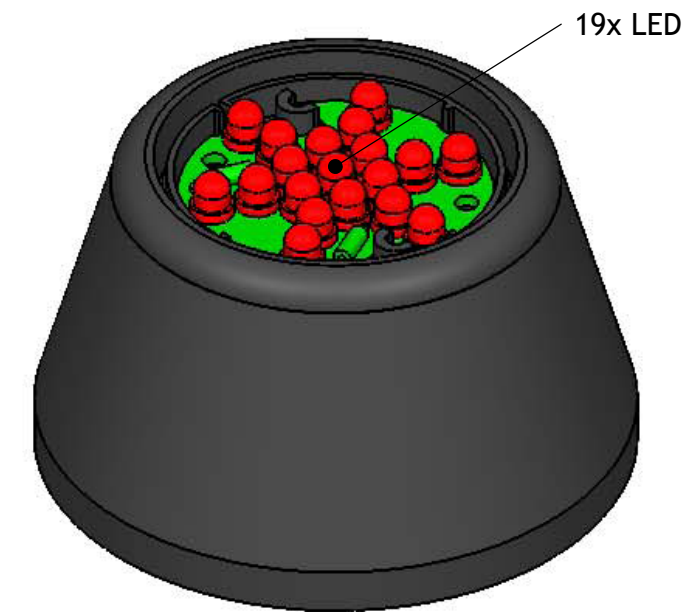
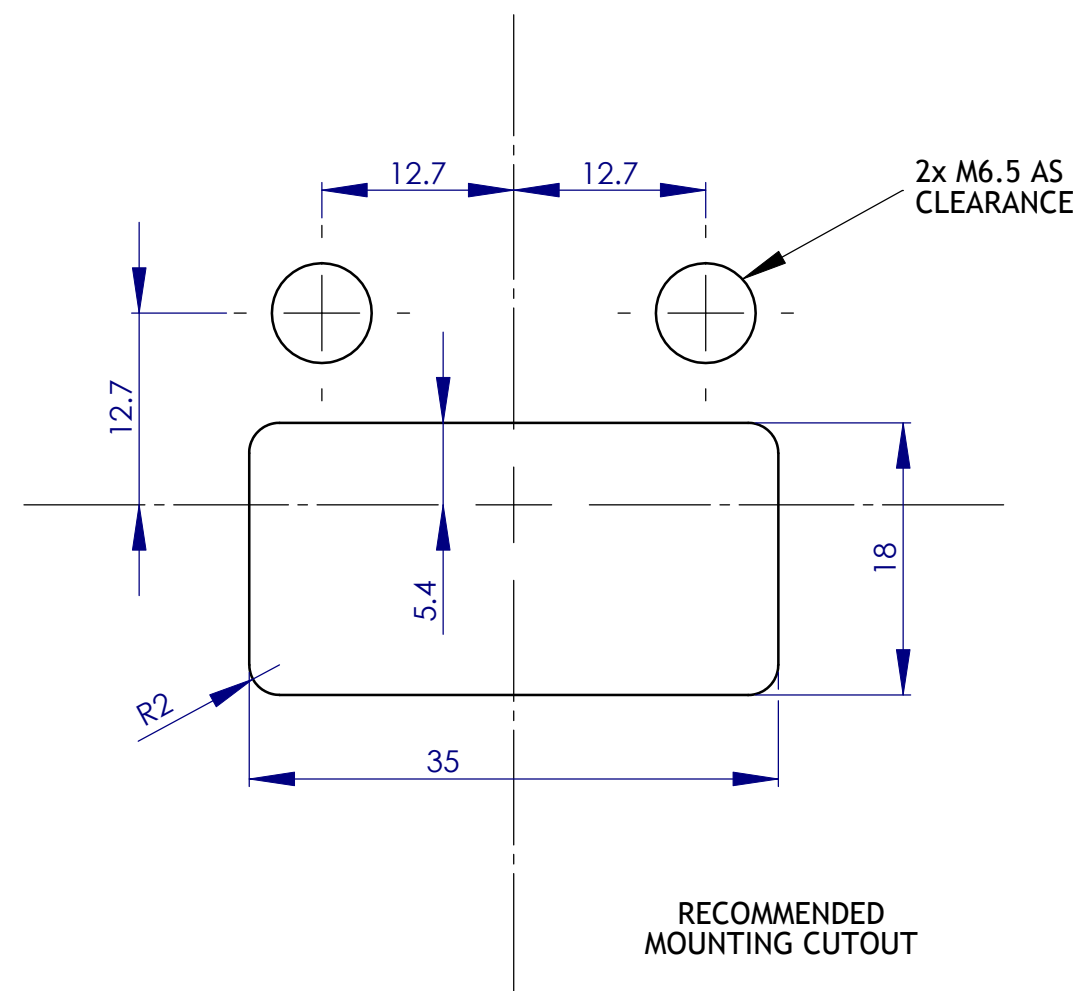
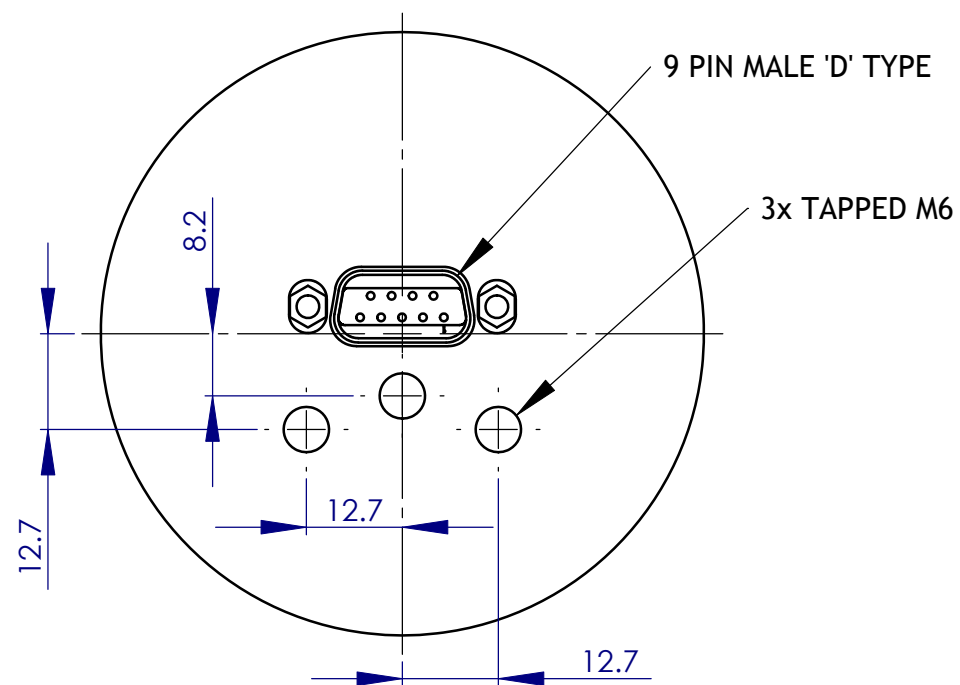
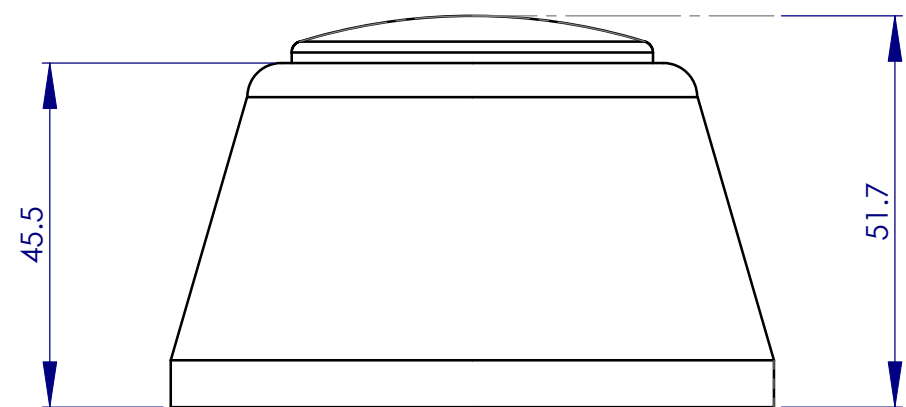



ISOMETRIC VIEW



ISOMETRIC VIEW - LENS REMOVED



RECOMMENDED MOUNTING CUTOUT

QUIZSYSTEMS QUIZSWITCLAMP (STAND-ALONE SWITCH/LAMP)	MATERIALS: BLACK DELRIN/RED LENS REVISION: 0	DO NOT SCALE FROM THIS DRAWING IF IN DOUBT - ASK!	 195 Thornhill Road Surbiton Surrey KT6 7TG Tel: +44 (0)20 8288 0246 E: web@quizsystems.co.uk W: www.quizsystems.co.uk
	DATE: 19/07/09 DRAWN: JOHN WALKER		