

KEY-HOLE
ADAPTOR
PLATE

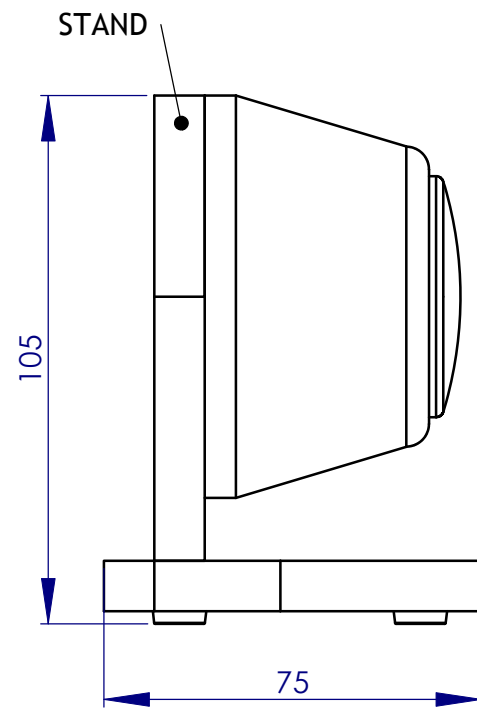
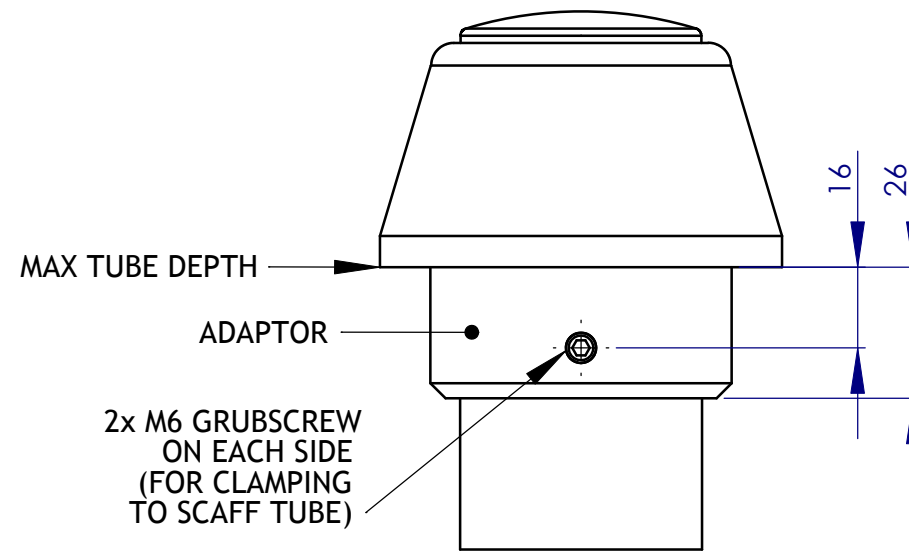
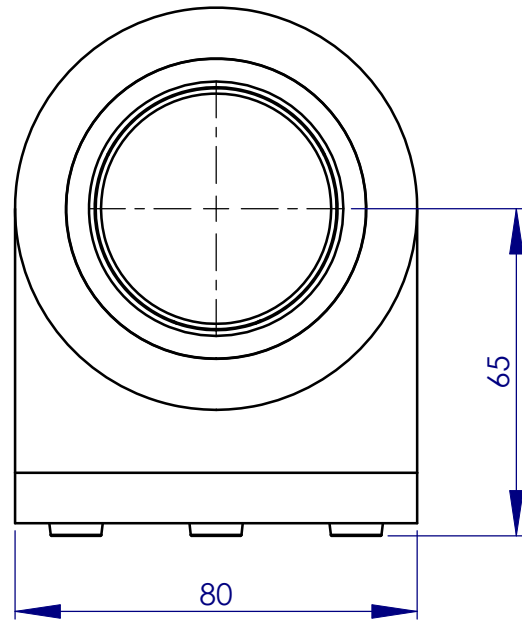


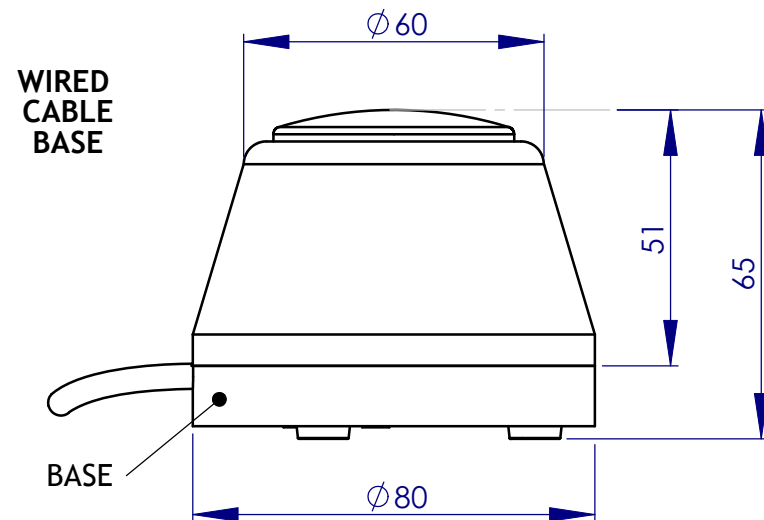
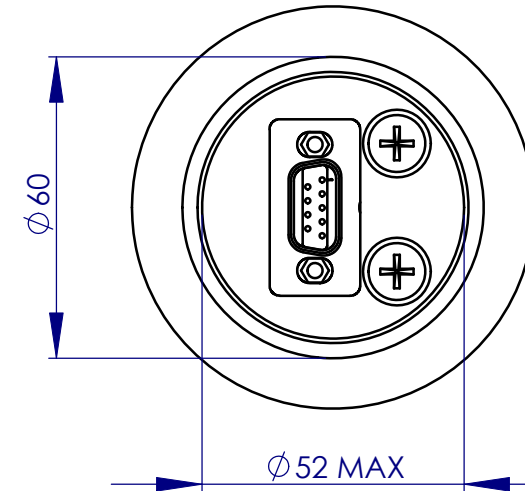
TABLE
STAND



SCAFF TUBE
ADAPTOR




BOTTOM VIEW



WIRED
CABLE
BASE



QUIZSYSTEMS	BLACK DELRIN (PLASTIC)		 195 Thornhill Road Surbiton Surrey KT6 7TG Tel: +44 (0)20 8288 0246 E: web@quizsystems.co.uk W: www.quizsystems.co.uk
	QUIZWICHLAMP ACCESSORIES	REVISION: 0 DATE: 02/07/10 DRAWN: JOHN WALKER	